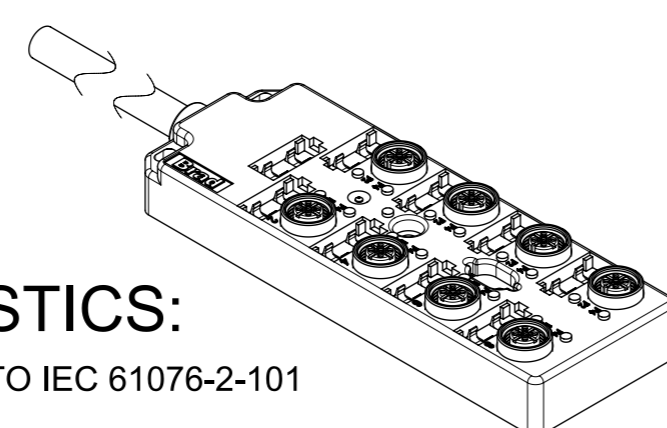
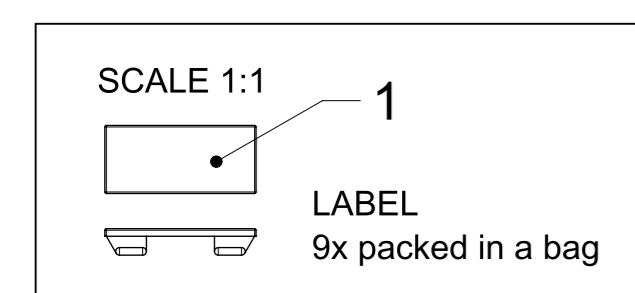
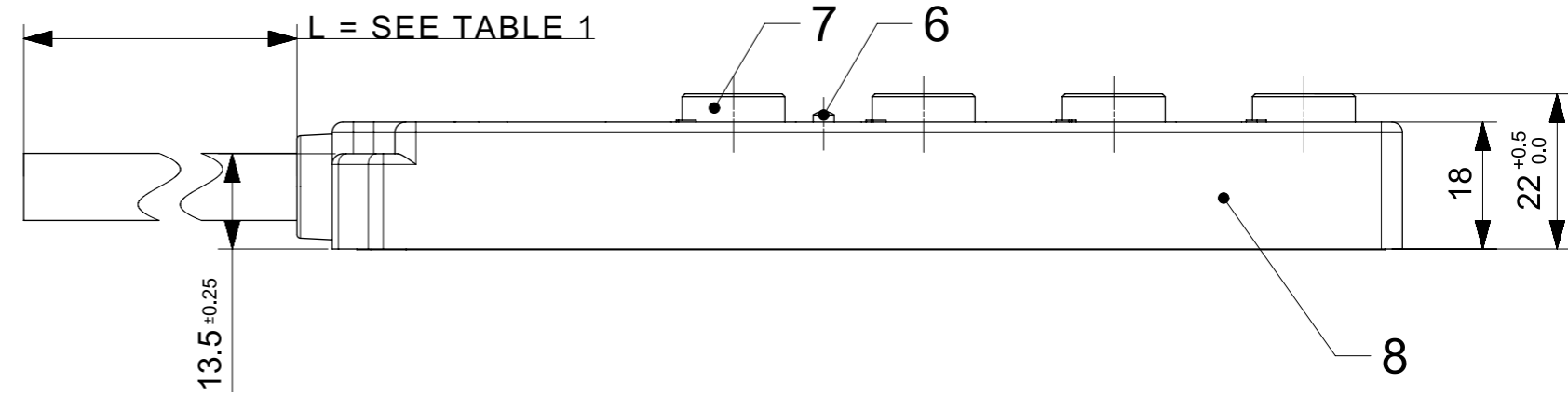
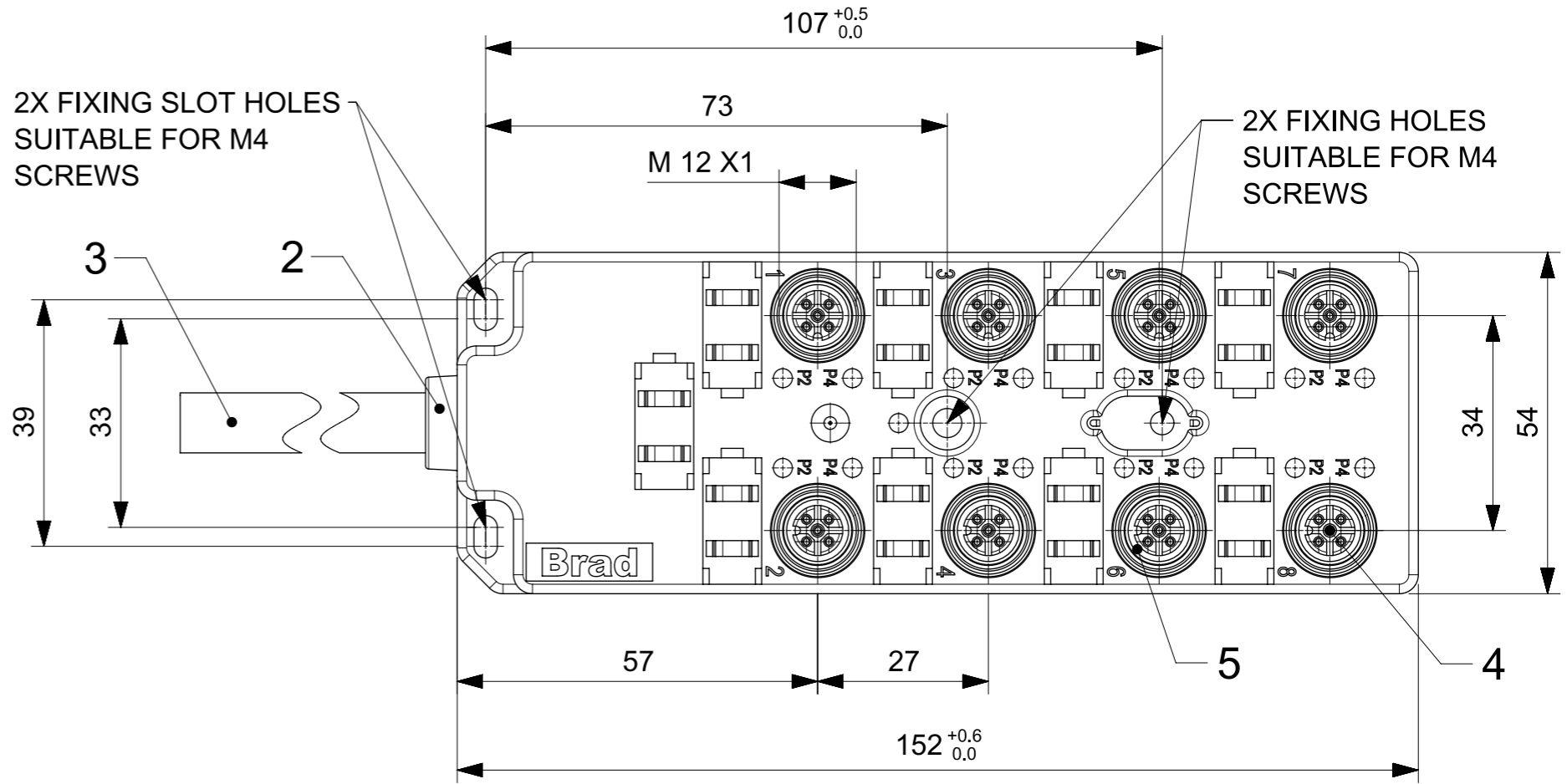


TABLE 1

MOLEX P/N	ENG. NO.	CABLE LENGTH (mm)	LED
1202480046	BTB8050-FBW-05	5000	NO
1202480047	BTB8050-FBW-10	10000	NO
1202480048	BTB8050-FBW-15	15000	NO
1202480049	BTB805P-FBW-05	5000	YES
1202480050	BTB805P-FBW-10	10000	YES
1202480051	BTB805P-FBW-15	15000	YES
1202480052	BTB805N-FBW-05	5000	YES
1202480053	BTB805N-FBW-10	10000	YES
1202480054	BTB805N-FBW-15	15000	YES

TABLE 2 BILL OF MATERIAL

ITEM	DESCRIPTION	MATERIAL	FINISH
1	LABEL	ABS	WHITE
2	CABLE PLATE	PBT	BLACK
3	CABLE	TPU BASED	BLACK
4	CONTACT	BRONZE	GOLD OVER NICKEL
5	O-RING	FPM	RED
6	LED	NON LED = PA	BLACK
		WITH LED = PA	TRANSPARENT
7	SHELL	BRASS	NICKEL PLATED
8	HOUSING	PBT	BLACK



GENERAL CHARACTERISTICS:

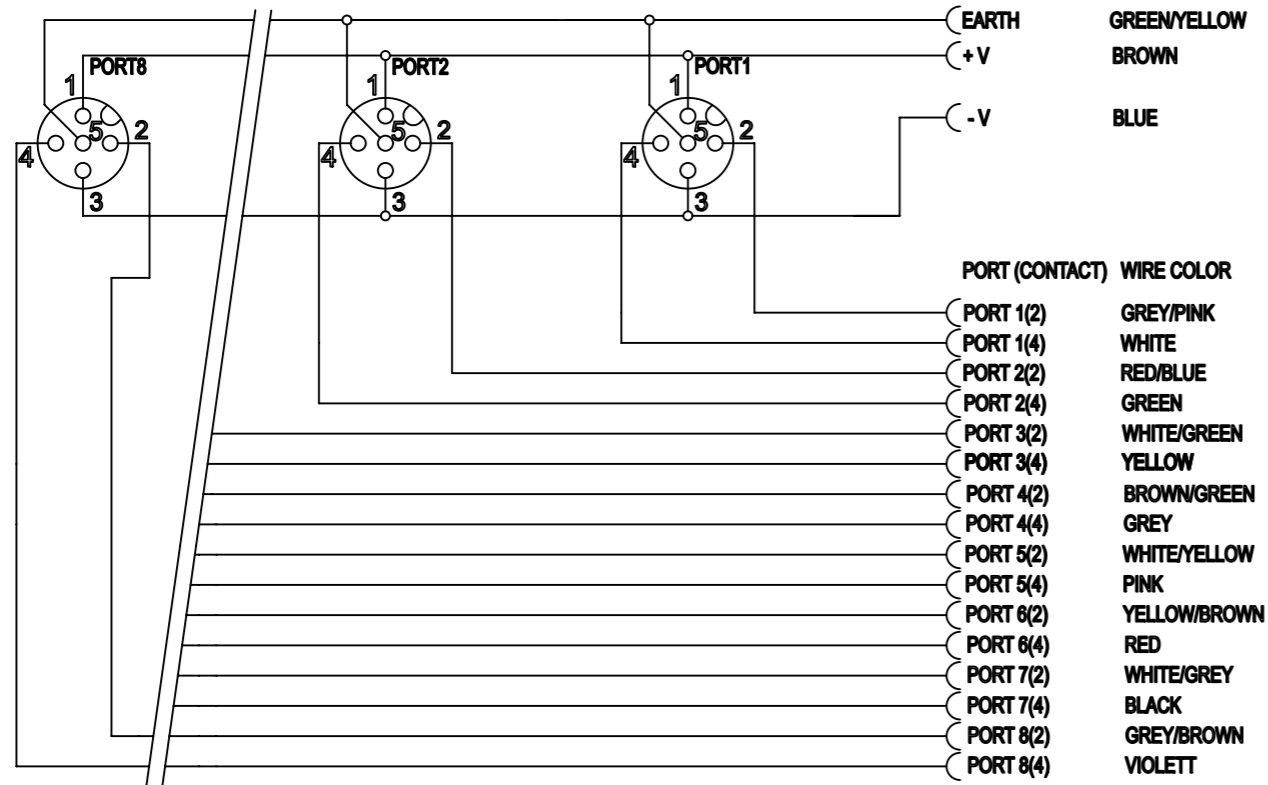
ELECTRICAL AND MECHANICAL DATA ACC. TO IEC 61076-2-101

NOMINAL VOLTAGE: 10-30 V DC
 AMPERE RATING: 4 A PER PORT / 12 A MAX
 AMPERE RATING WITH UL REGISTRATION: 3 A PER PORT / 9 A MAX
 IP DEGREE OF PROTECTION: IP 67
 TEMPERATURE RANGE: -25°C to + 85°C

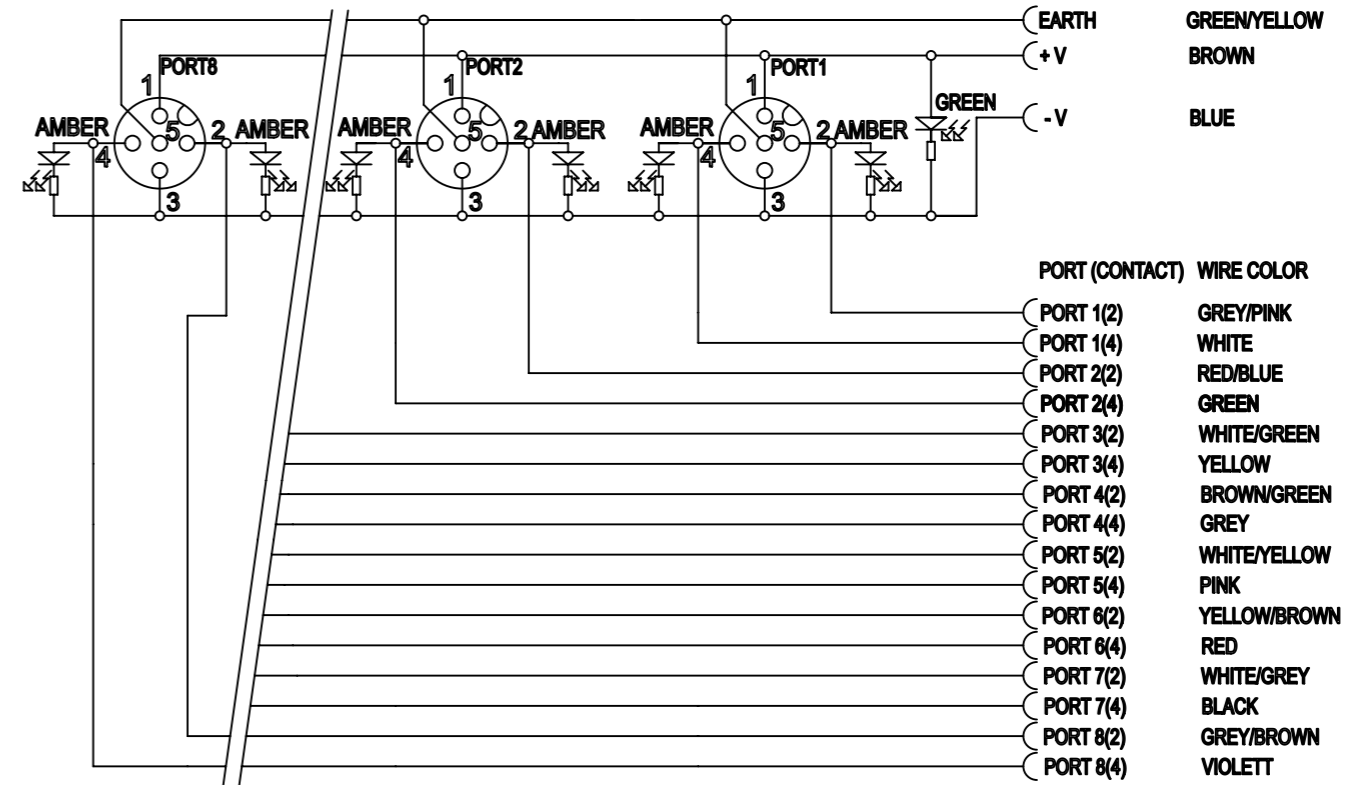
THIS DRAWING CONTAINS INFORMATION THAT IS PROPRIETARY TO MOLEX INCORPORATED AND SHOULD NOT BE USED WITHOUT WRITTEN PERMISSION

EC DESCRIPTION EC NO: 100589 DRWN: AAHLERS CHK'D: REV: A1	2015/06/09	QUALITY SYMBOLS ▽ = 0 ▽ = 0 ▽ = 0 ▽ = 0 ▽ = 0 ▽ = 0 ▽ = 0 ▽ = 0	GENERAL TOLERANCES (UNLESS SPECIFIED)		DIMENSION UNITS	SCALE	molex
			ANGULAR TOL ± °		MM	1:1	
			4 PLACES ±		DRWN BY	DATE	
			3 PLACES ±		AAHLERS	2015/04/01	
2 PLACES ±		CHK'D BY	DATE	MPIS M12 PNP NOS 5P 8PT AC FE STR XM STA DUAL			
1 PLACE ±		APPR BY	DATE				
0 PLACES ± 0.25		RSILLER	2015/05/20	PRODUCT CUSTOMER DRAWING			
DRAFT WHERE APPLICABLE MUST REMAIN WITHIN DIMENSIONS		DRAWING SIZE	THIRD ANGLE PROJECTION	SERIES	MATERIAL NUMBER	CUSTOMER	
		A3		120248	SEE TABLE 1	GENERAL MARKET	
				DOCUMENT NUMBER	DOC TYPE	DOC PART	SHEET NUMBER
				1202480046	PSD	000	1 OF 2

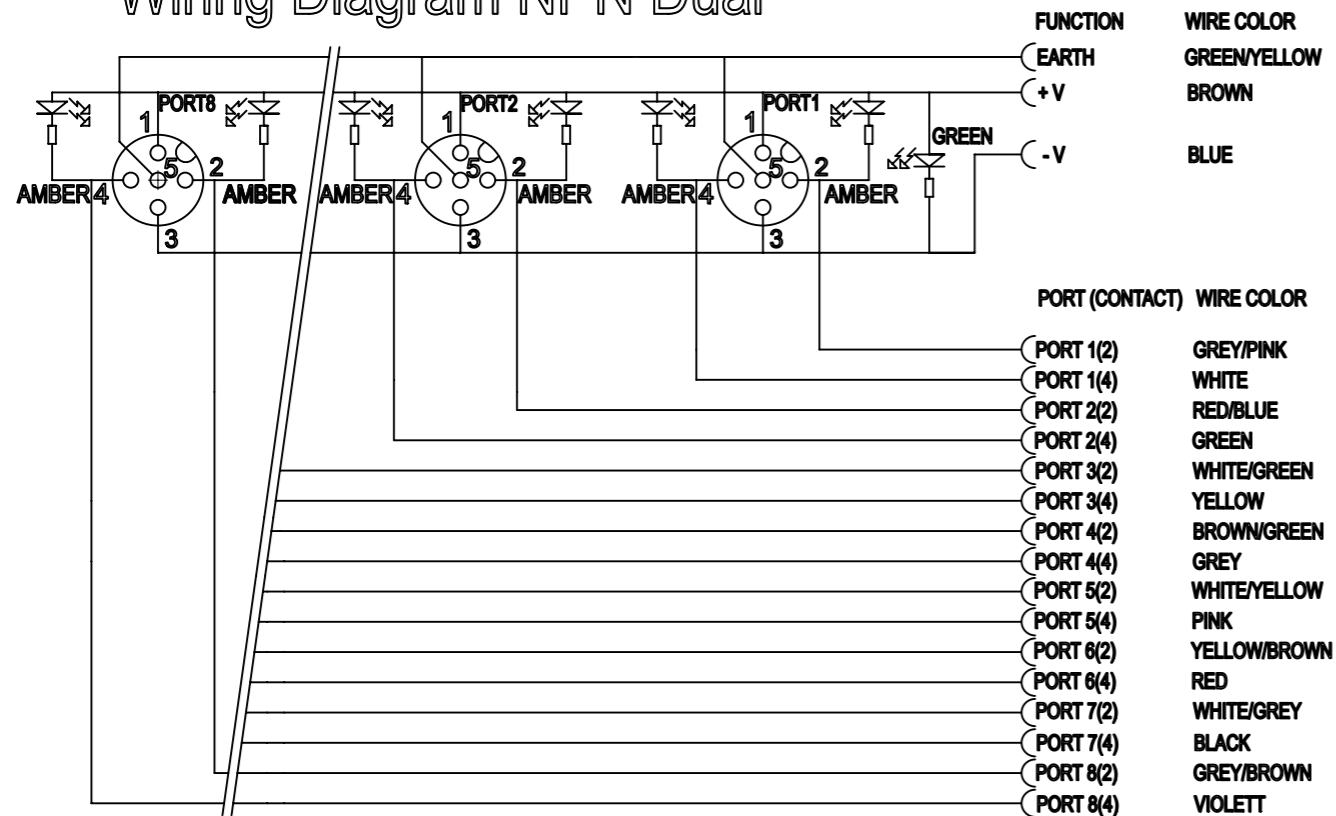
Wiring Diagram NON LED Dual



Wiring Diagram PNP Dual



Wiring Diagram NPN Dual



THIS DRAWING CONTAINS INFORMATION THAT IS PROPRIETARY TO MOLEX INCORPORATED AND SHOULD NOT BE USED WITHOUT WRITTEN PERMISSION

EC DESCRIPTION EC NO: 100589 DRWN: AAHLERS CHK'D: APPR: RSILLER	QUALITY SYMBOLS = 0 = 0 = 0 = 0 = 0 = 0 = 0 = 0	GENERAL TOLERANCES (UNLESS SPECIFIED)		DIMENSION UNITS	SCALE				
		ANGULAR TOL ± °		MM	1:1				
		4 PLACES ±		DRWN BY	DATE	MPIS M12 PNP NOS 5P 8PT AC FE STR XM STA DUAL			
		3 PLACES ±		AAHLERS	2015/04/01				
2 PLACES ±		CHK'D BY	DATE	PRODUCT CUSTOMER DRAWING					
1 PLACE ±		RSILLER	2015/05/20						
0 PLACES ± 0.25		APPR BY	DATE	SERIES	MATERIAL NUMBER	CUSTOMER			
DRAFT WHERE APPLICABLE MUST REMAIN WITHIN DIMENSIONS		DRAWING SIZE	THIRD ANGLE PROJECTION	120248	SEE TABLE 1	GENERAL MARKET			
A1	REV			A3	DOCUMENT NUMBER		DOC TYPE	DOC PART	SHEET NUMBER
					1202480046		PSD	000	2 OF 2