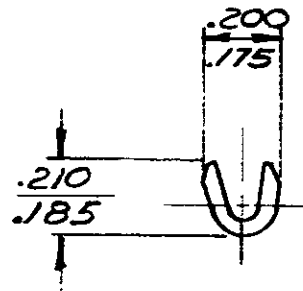
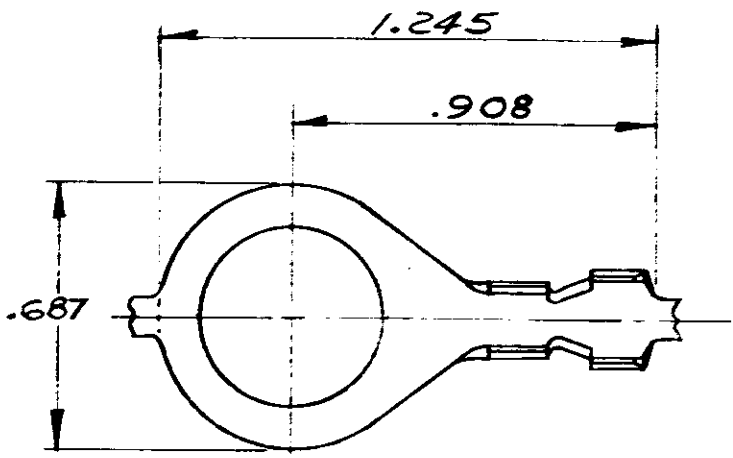
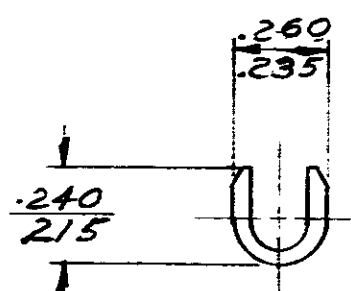
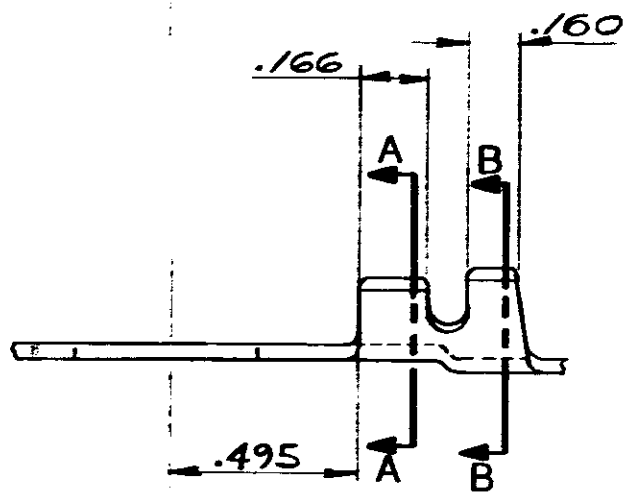


NUMBER  
61337



SECT. - A-A



SECT. - B-B

CONTINUOUS STRIP ON REELS

WIRE SIZE A.W.G.	INSULATION RANGE	STUD #	HOLE DIA. ±.005	MATERIAL AND FINISH	TERMINAL NUMBER
16-14	.120-180	1/2	.515	.040 - BRASS - TIN	61337-1

DIMENSIONS IN INCHES. DO NOT SCALE PRINT

©1967 BY AMP INCORPORATED, ALL RIGHTS RESERVED. AMP PRODUCTS COVERED BY PATENTS AND/OR PATENTS PENDING.

**CUSTOMER COPY REFERENCE ONLY**

B .495 WIRE .500 PER A 5319 2/3 2/17/67  
 A REVISED RELEASED A-1129 NON REF 2/16/67  
 PER ECR-A11B  
 WAS P-2987B

MATERIAL AND FINISH  
 WIRE RANGE INSULATION TYPE



CLASS #  
 TYPE #

REVISION RECORD  
 DR CHK DATE  
 DR CLAIR E. FINK 11-7-67  
 DE C. MEYERS 11-5-67  
 CHK C. MEYERS 11-5-67  
 APP. [Signature]

TOLERANCE EXCEPT AS NOTED ±.015 ± 1° 2-1  
 SCALE 2-1  
 LOC A  
 NO 61337  
 REV B  
 NAME RING