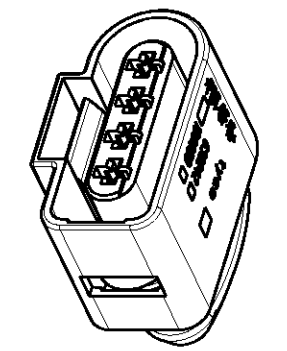
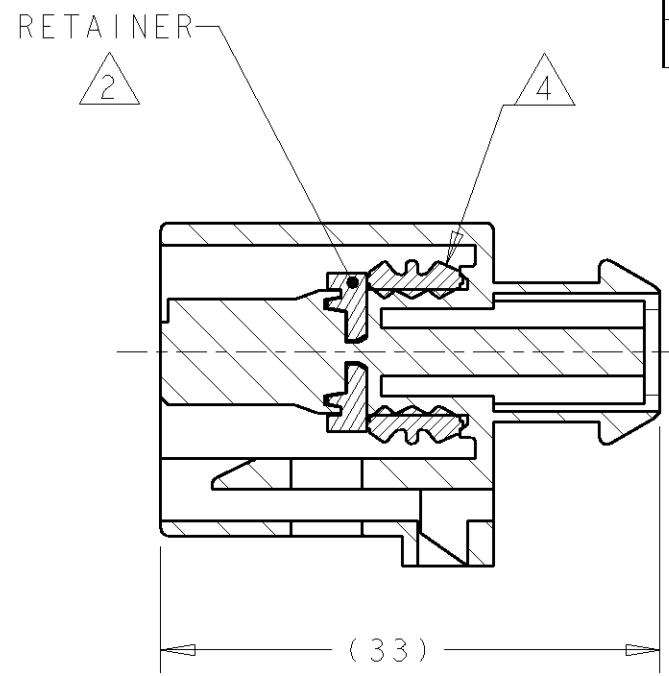
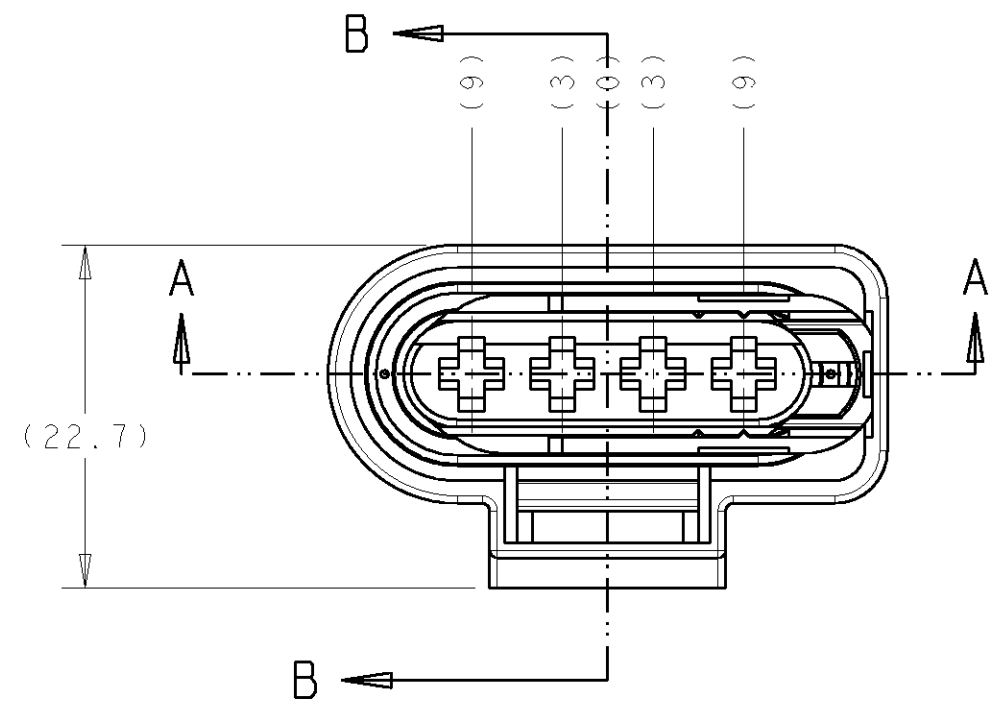
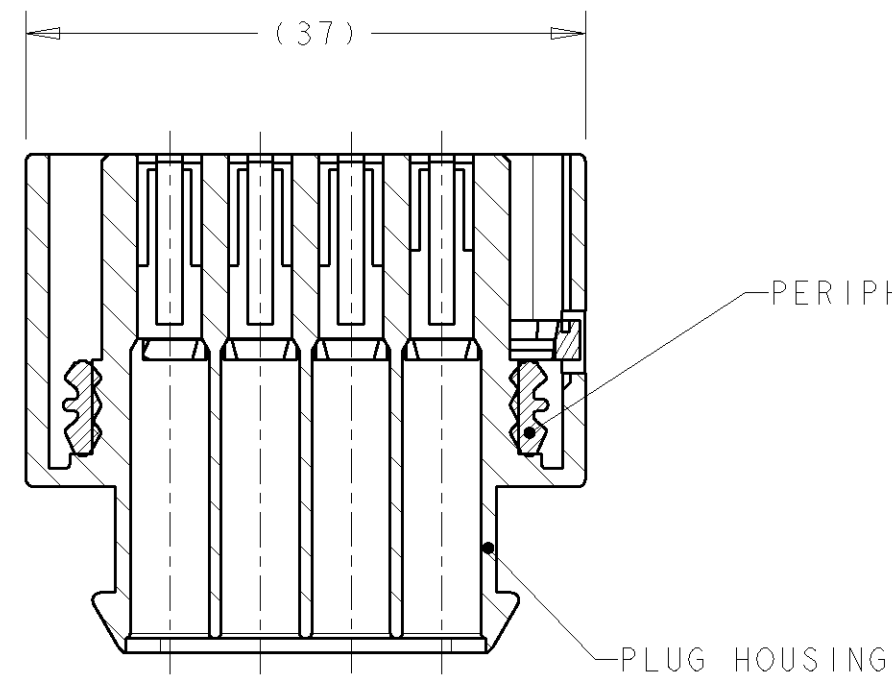


THIS DRAWING IS UNPUBLISHED. RELEASED FOR PUBLICATION 20  
 © COPYRIGHT 20 BY TYCO ELECTRONICS CORPORATION. ALL RIGHTS RESERVED.

| LOC | DIST | REVISIONS                   |           |     |      |  |
|-----|------|-----------------------------|-----------|-----|------|--|
| P   | LTR  | DESCRIPTION                 | DATE      | DWN | APVD |  |
| GE  | 00   |                             |           |     |      |  |
|     |      | E REVISED PER ECO-08-004643 | 28FEB2008 | AH  | DC   |  |
|     |      |                             |           |     |      |  |
|     |      |                             |           |     |      |  |



SCALE 1:1



- 1 THE RETAINER IS ASSEMBLED INTO THE PLUG HOUSING IN THE FIRST DETENT POSITION (OPEN POSITION).
- 2 PLUG HOUSING: PBT, 15% GLASS-FILLED, BLACK  
 RETAINER: PBT, 15% GLASS-FILLED, RED  
 PERIPHERAL SEAL: SILICONE ELASTOMER, COLOR, SEE TABLE
- 3. TYPE A JPT TERMINALS AND INDIVIDUAL WIRE SEALS SOLD SEPARATELY. SEE PRINT 1355047 FOR TERMINAL DETAILS.
- 4 SEAL MAY BE INSERTED IN EITHER DIRECTION. ORIENTATION OF SEAL DOES NOT AFFECT SEALABILITY.

|                 |       |             |
|-----------------|-------|-------------|
| 30 DUROMETER    | BLUE  | 638245-2    |
| 50 DUROMETER    | GREEN | 638245-1    |
| PERIPHERAL SEAL | COLOR | PART NUMBER |

|   |  |   |  |   |  |
|---|--|---|--|---|--|
| <small>THIS DRAWING IS A CONTROLLED DOCUMENT FOR TYCO ELECTRONICS CORPORATION IT IS SUBJECT TO CHANGE AND THE CONTROLLING ENGINEERING ORGANIZATION SHOULD BE CONTACTED FOR THE LATEST REVISION.</small> |  | DWN MD BROWN 05OCT2001<br>CHK MD BROWN 05OCT2001<br>APVD MD BROWN 05OCT2001   |  | Tyco Electronics<br>Harrisburg, PA 17105-3608               |  |
| DIMENSIONS:<br>mm   |  | TOLERANCES UNLESS OTHERWISE SPECIFIED:<br>0 PLC ±-<br>1 PLC ±.3<br>2 PLC ±.10<br>3 PLC ±-<br>4 PLC ±-<br>ANGLES ±5° |  | NAME RECEPTACLE ASSEMBLY, 4 POSITION<br>RADIAL SEALED, JPT  |  |
| MATERIAL 2  |  | FINISH -  |  | PRODUCT SPEC -<br>APPLICATION SPEC -<br>WEIGHT -            |  |
| CUSTOMER DRAWING  |  |   |  | SIZE A3 CAGE CODE 00779 DRAWING NO C-638245 RESTRICTED TO - |  |
|   |  |   |  | SCALE 2:1 SHEET 1 OF 1 REV E                                |  |