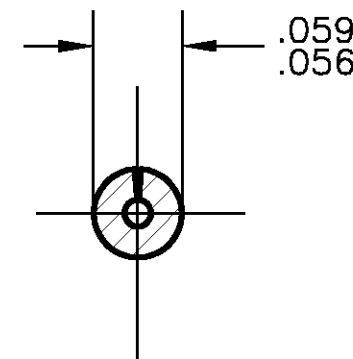
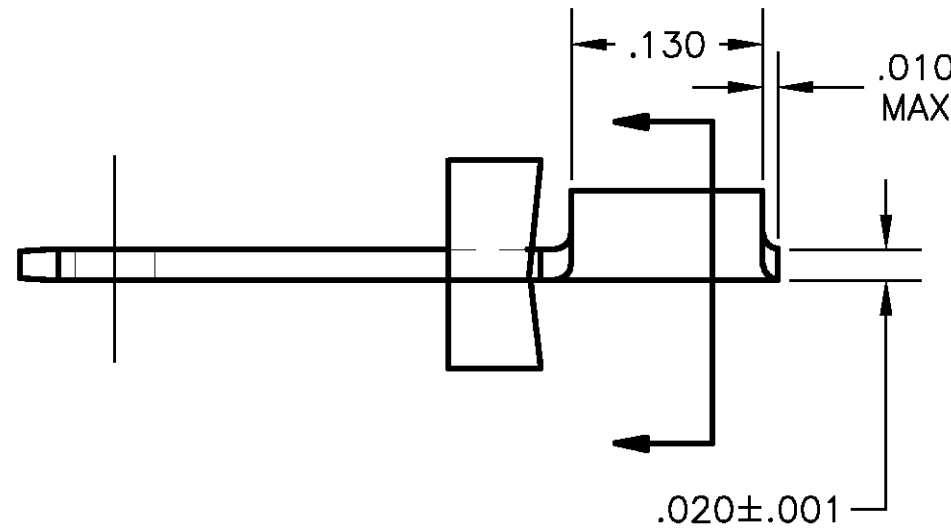
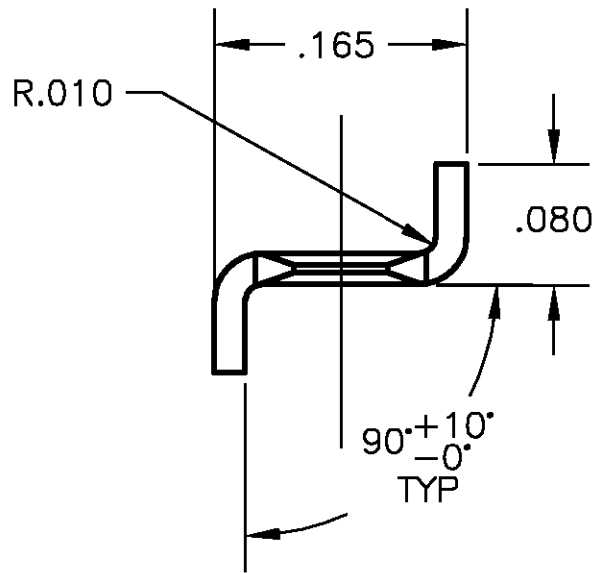
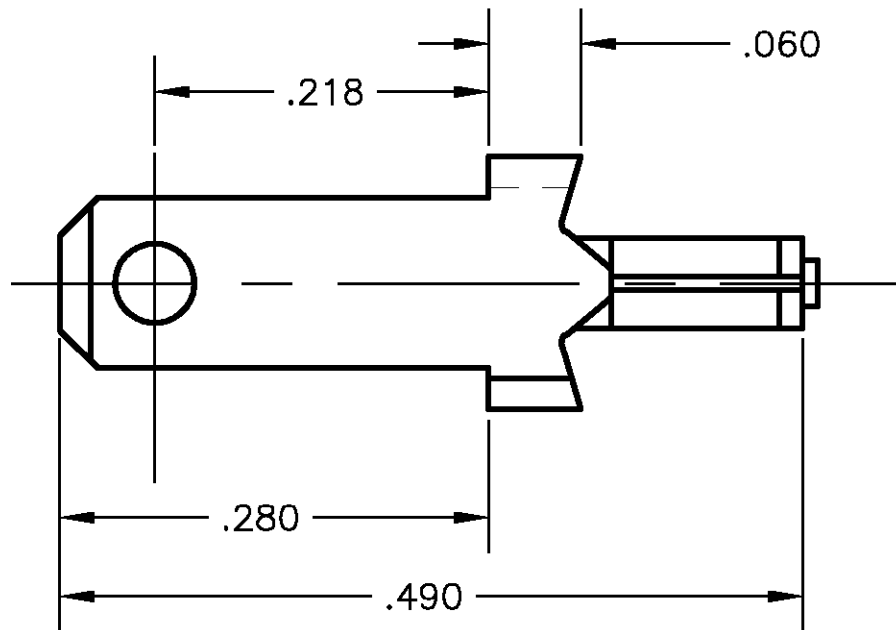


THIS DRAWING IS UNPUBLISHED. RELEASED FOR PUBLICATION
 © COPYRIGHT BY TYCO ELECTRONICS CORPORATION. ALL RIGHTS RESERVED.

LOC	DIST	REVISIONS				
P	LTR	DESCRIPTION	DATE	DWN	APVD	
AF	50	M	REDRAWN PER 0G3A-0186-01	16MAR01	JR ND	

- SUPPLIED IN LOOSE PIECE
- PARTS TO MEET SOLDERABILITY SPEC 109-11-2 (MILDLY ACTIVATED ROSIN).
- .000150 MIN TIN PLATE OVER .000100 MIN COPPER.
- PRINTED CIRCUIT BOARD IS TO BE .032 TO .093 THK WITH A .055-.060 DIA HOLE.



	\triangle 3	61134-3
OBSOLETE	GOLD	61134-2
OBSOLETE	PRE-TIN	61134-1
	FINISH	PART NO.

THIS DRAWING IS A CONTROLLED DOCUMENT.		DWN JR RUTH 15MAR01	Tyco Electronics Corporation Harrisburg, PA. 17057	
DIMENSIONS: INCHES		CHK MS FEHER 16MAR01	NAME TAB, FASTON, P.C.BOARD, .110 SERIES	
TOLERANCES UNLESS OTHERWISE SPECIFIED:		APVD N DEIBERT 16MAR01	PRODUCT SPEC -	
0 PLC ± -		APPLICATION SPEC -	SIZE A3	CAGE CODE 00779
1 PLC ± -		WEIGHT -	DRAWING NO C-61134	RESTRICTED TO -
2 PLC ± -		CUSTOMER DRAWING		
3 PLC ± .015		SCALE 8:1	SHEET 1 OF 1	REV M
4 PLC ± -				
ANGLES ± -				
MATERIAL 082 BRASS	FINISH SEE TABLE			