

PART No. CWST1096NK

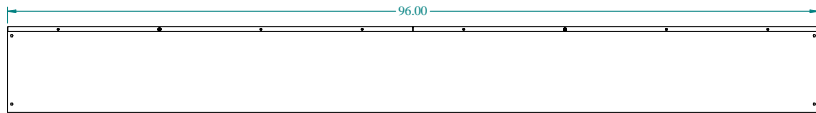
for more information visit
www.hammfg.com

Data subject to change without notice

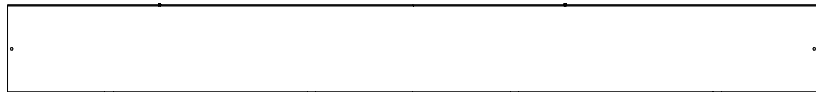
Isometric drawing Not to Scale



TOP VIEW



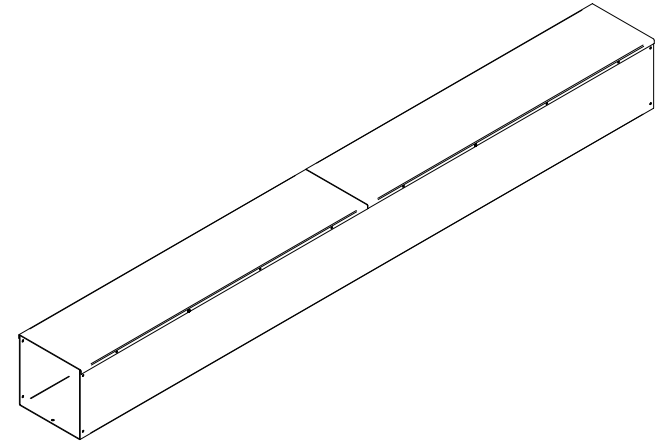
FRONT VIEW



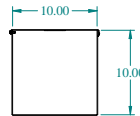
BOTTOM VIEW



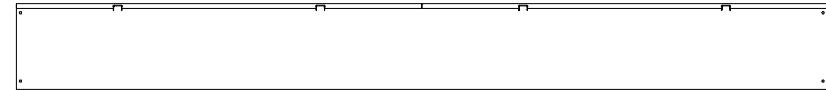
SIDE VIEW



ISOMETRIC VIEW



SIDE VIEW



BACK VIEW