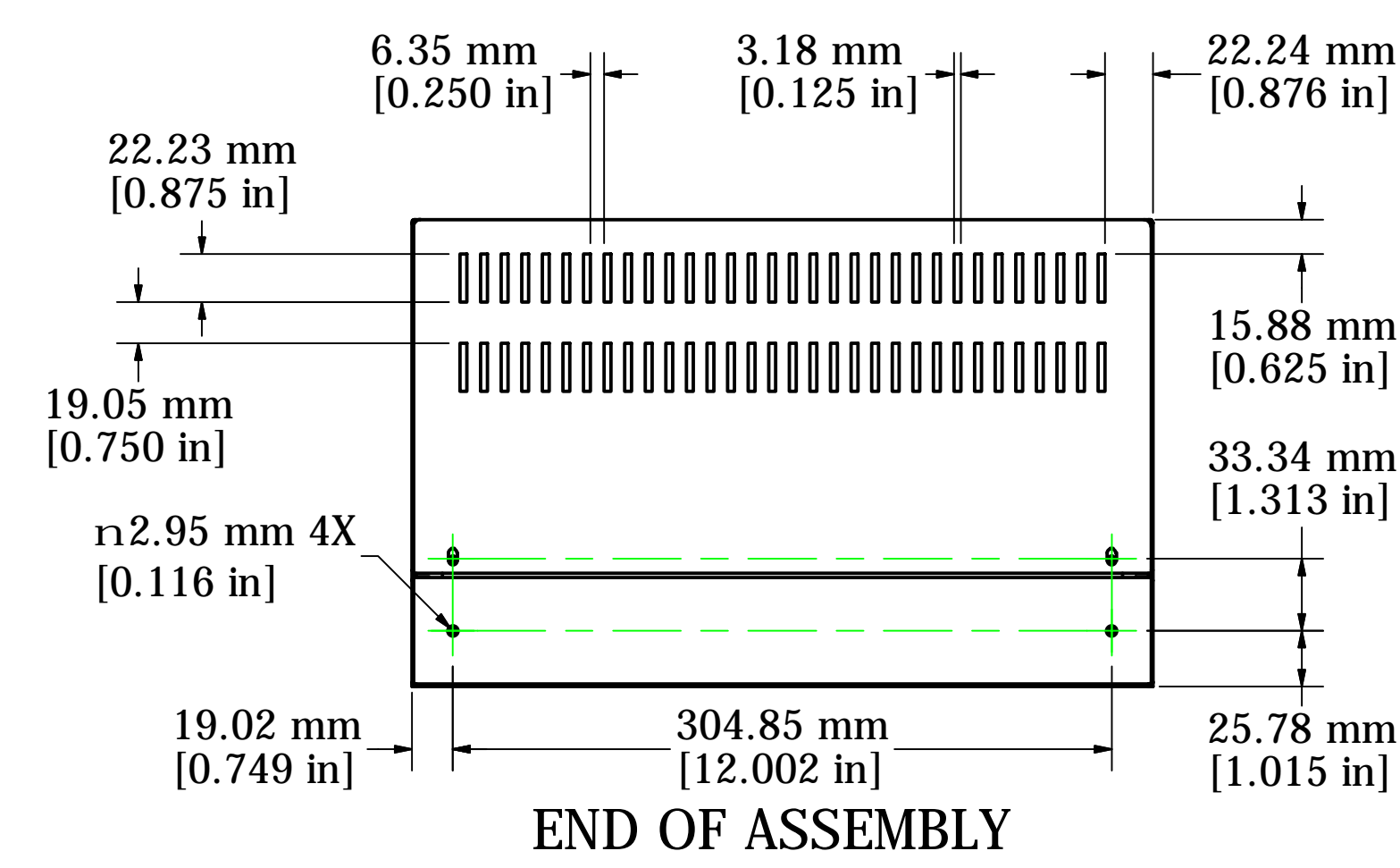
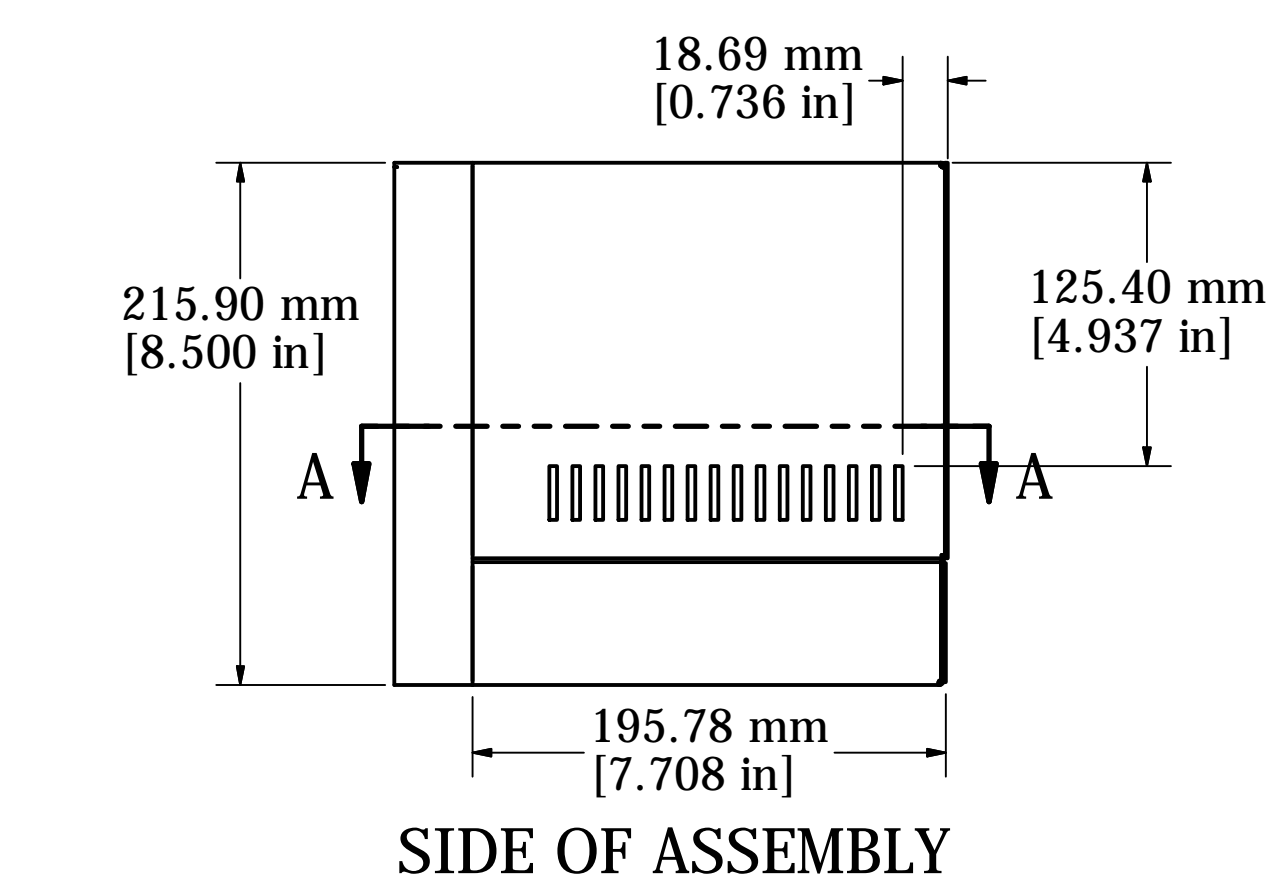
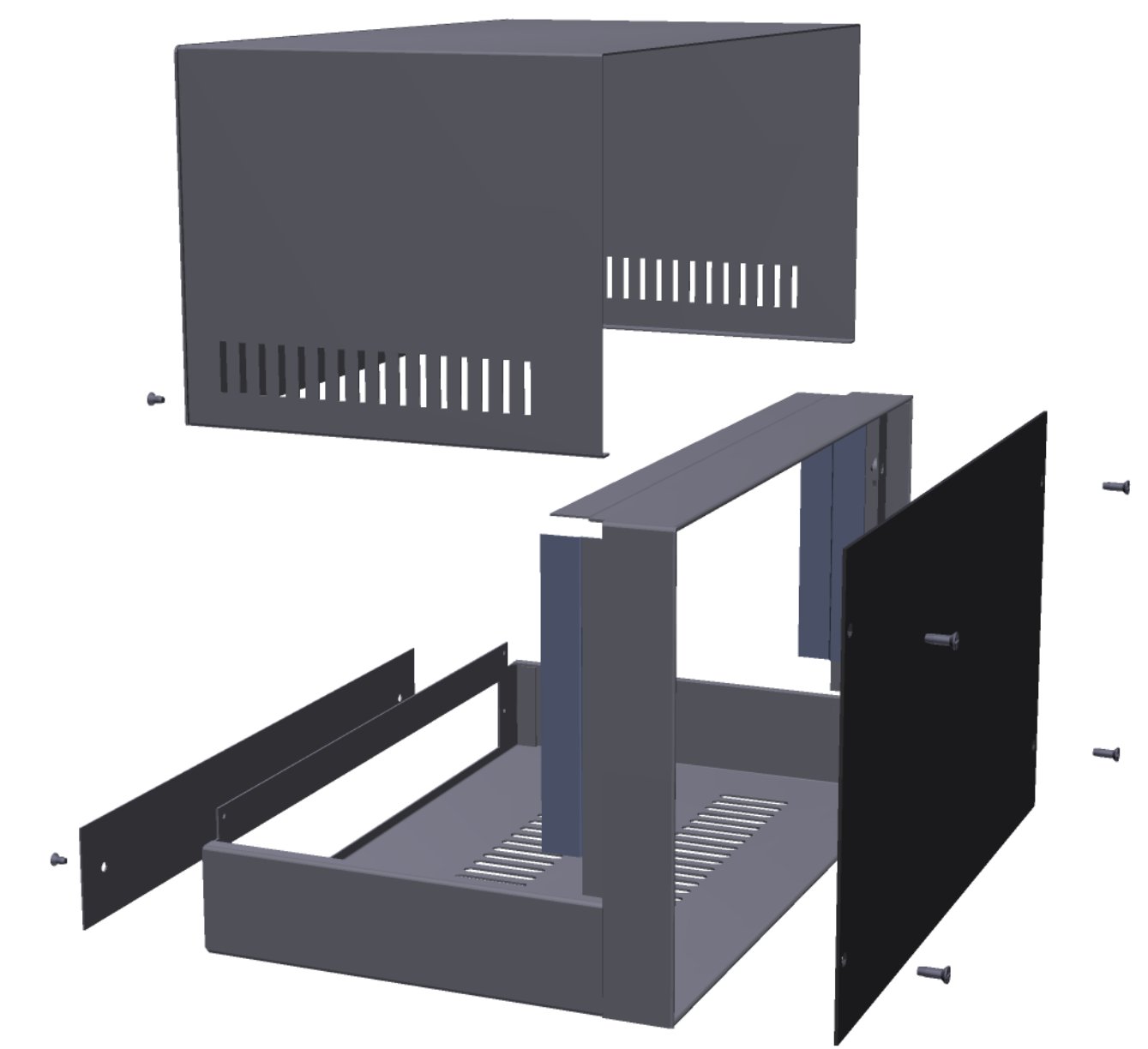
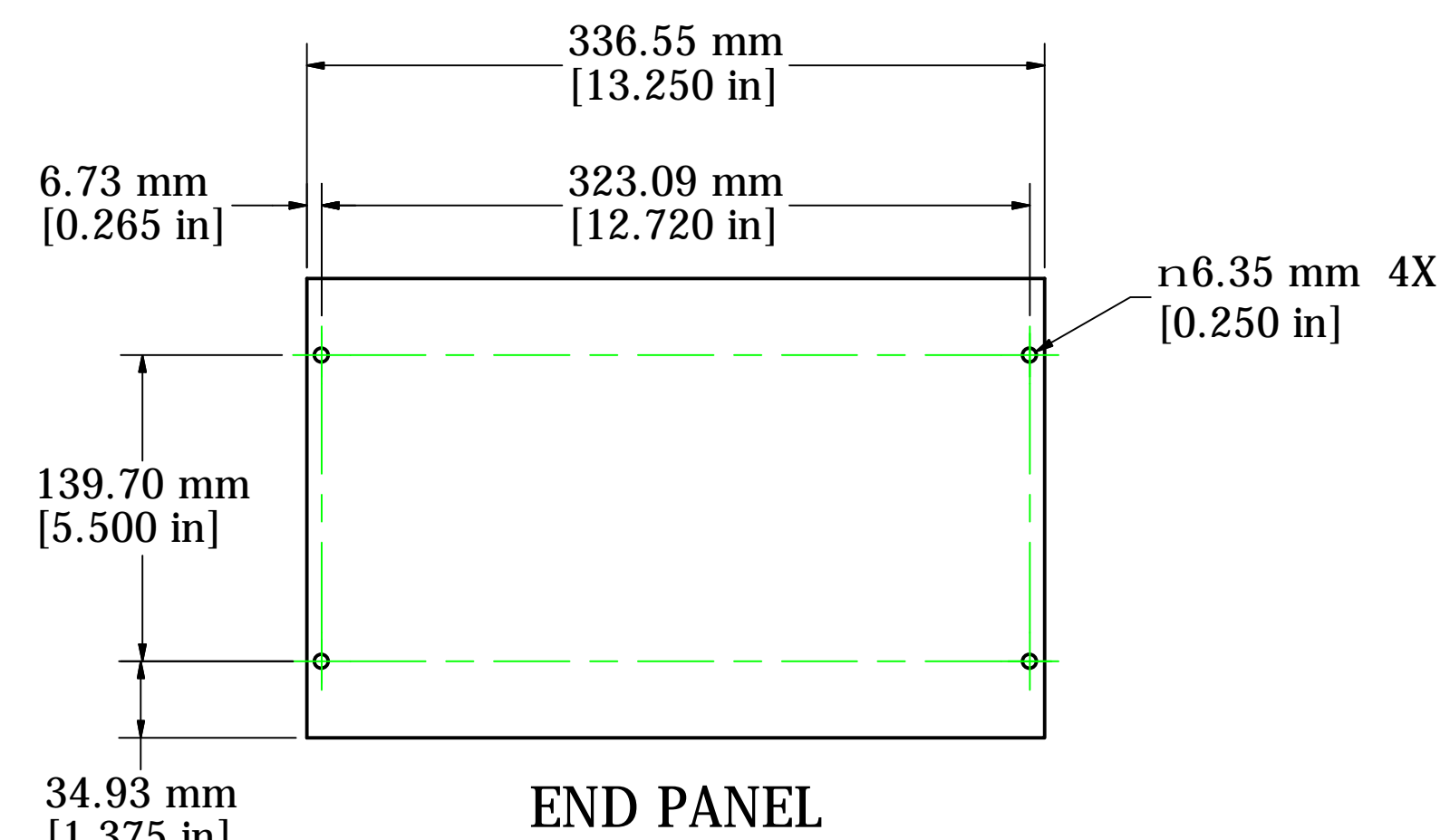
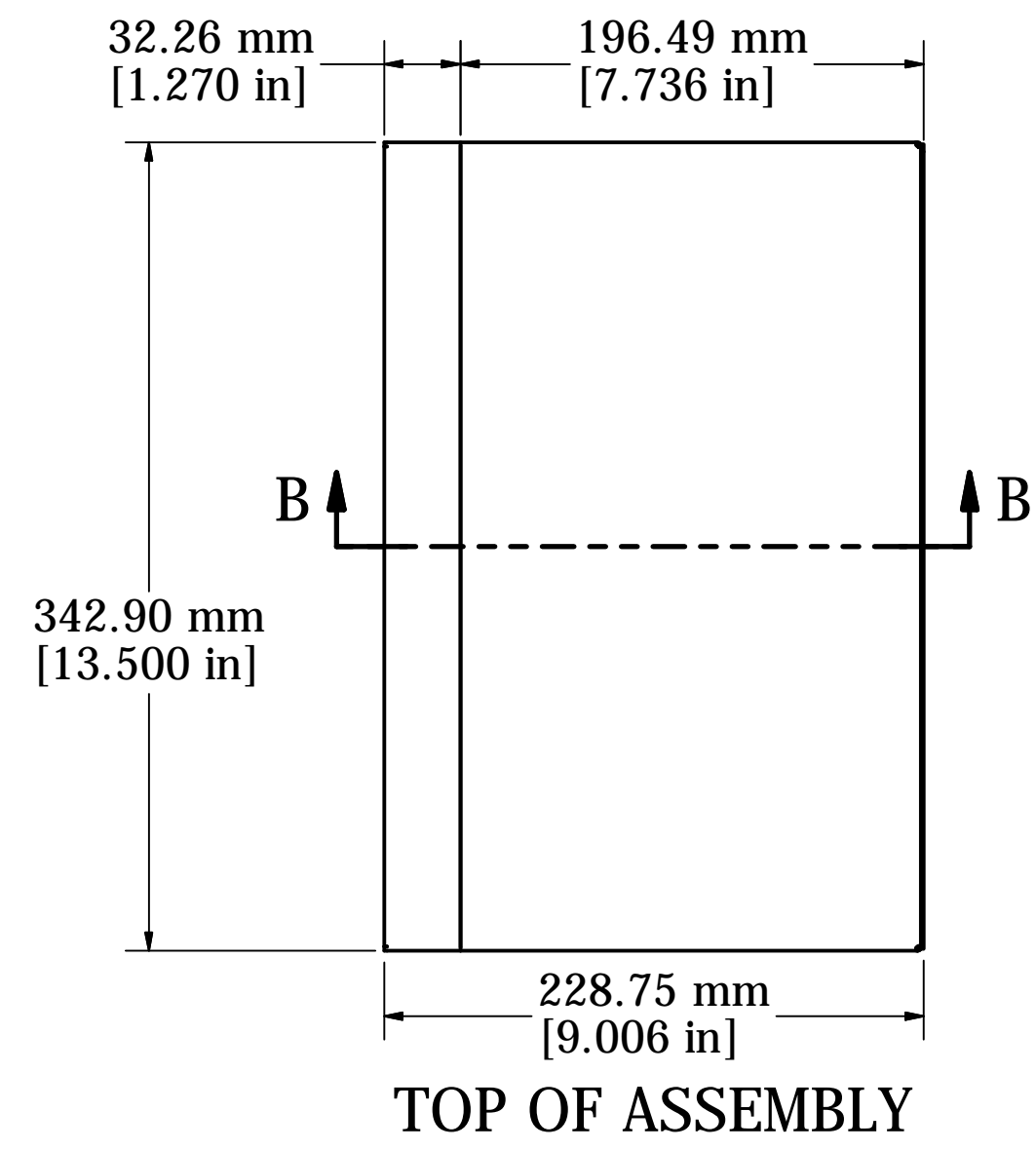
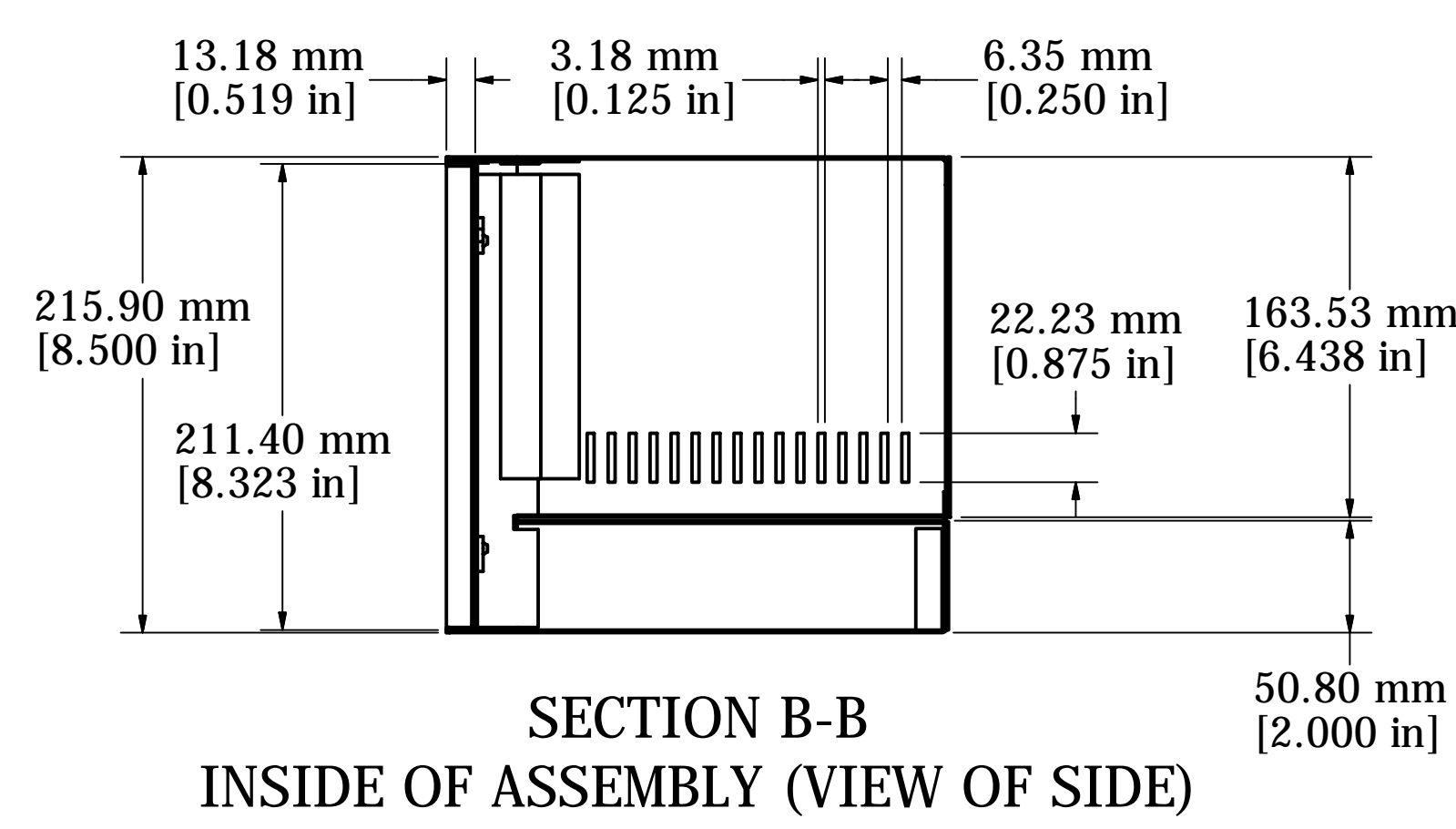
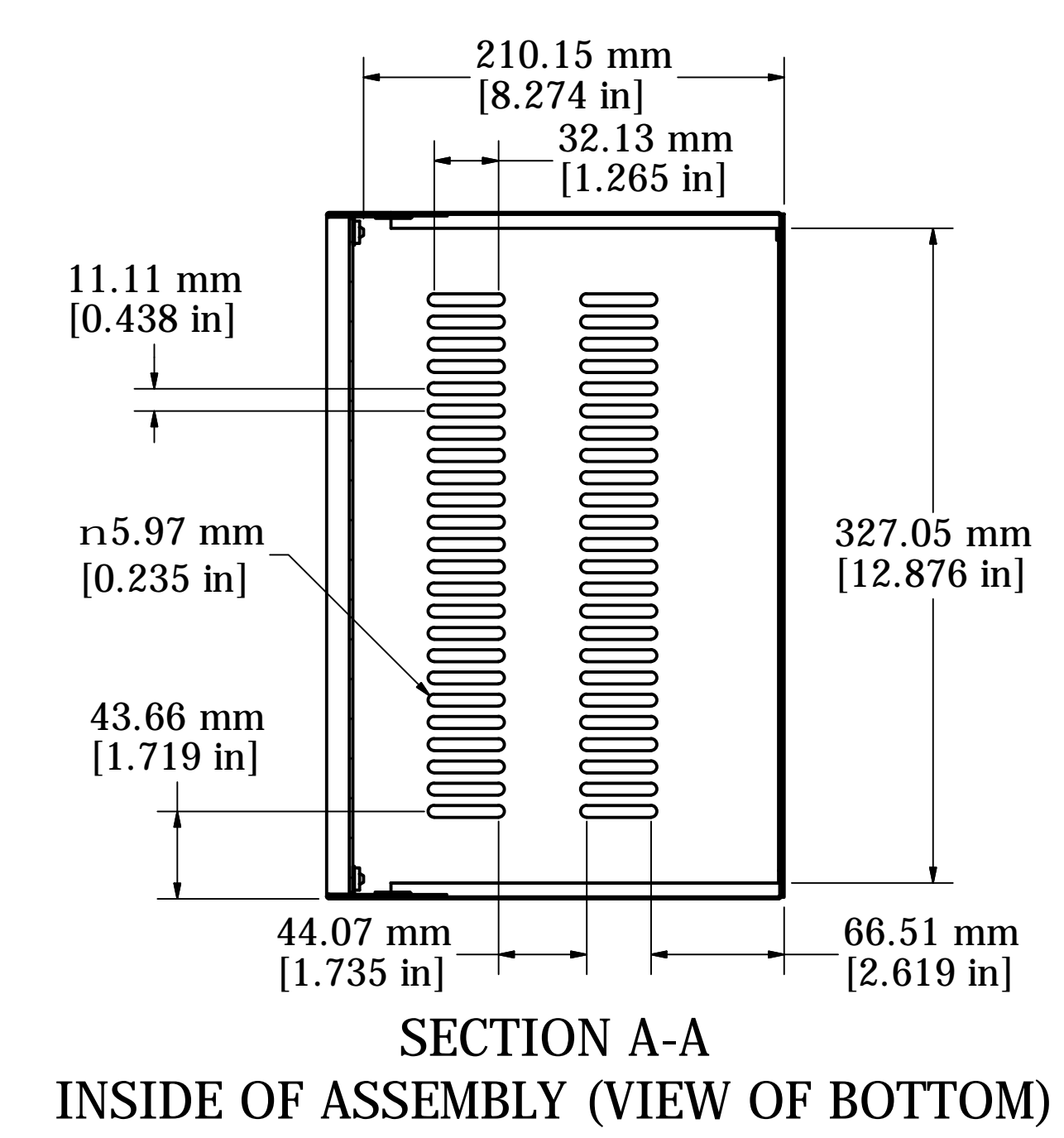


8 7 6 5 4 3 2 1



Note:
 Enclosures can be Factory Modified (Milling, Drilling, Printing etc.)
 Contact Factory mjm@hammondmfg.com for quotes
 Solid models of this enclosure available in STEP or IGES Format.

1452KE9
Material: 18ga. Steel base and frame, Gray color
Cover: Heavy duty 20 ga. Steel vented for cooling
Screws: 4 Supplied (#6-32 X 1/4" self tap)
End Panel: 0.064" (1.6mm) thick Aluminum, Black color
End Panel Screws: 4 supplied (#8-32 X 1/2" self tap)



**HAMMOND
MANUFACTURING™**

1452KE9
www.hammondmfg.com

8 7 6 5 4 3 2 1