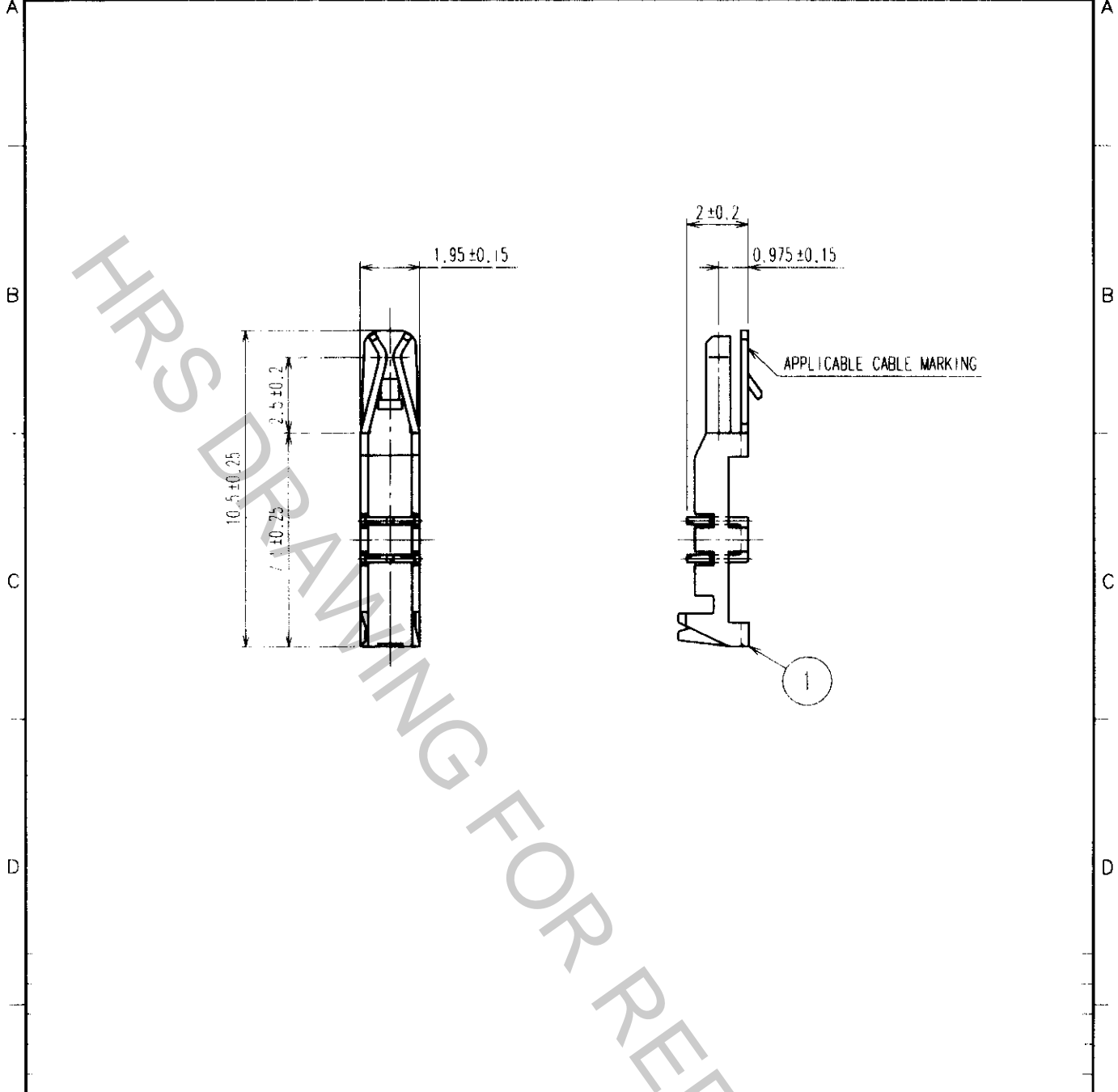


1	2			3			4		
COUNT	DESCRIPTION OF REVISIONS	BY	CHKD	DATE	COUNT	DESCRIPTION OF REVISIONS	BY	CHKD	DATE
△					△				
△					△				
△					△				



NOTE 1. APPLICABLE CABLE : AWG26
 (OUTER DIAMETER ϕ 0.9~1.39)
 2. 1PACK : 100 CONNECTORS.

NO.	MATERIAL	FINISH, REMARKS	NO.	MATERIAL	FINISH, REMARKS
1	PHOSPHOR BRONZE	TIN PLATED 1 μ m MIN			

CODE NO. (OLD)	DRAWN	DESIGNED	CHECKED	APPROVED	RELEASED
	S. Ito 03.01.24	S. Ito 03.01.24	T. Higashide 03.01.24	K. Katayama 03.01.24	

 SCALE 5 : 1 UNITS mm	DRAWING NO. EDC4-020209	PART NO. DF1B-R26
	 HIROSE ELECTRIC CO., LTD.	CODE NO. CL541-0221-6

TO