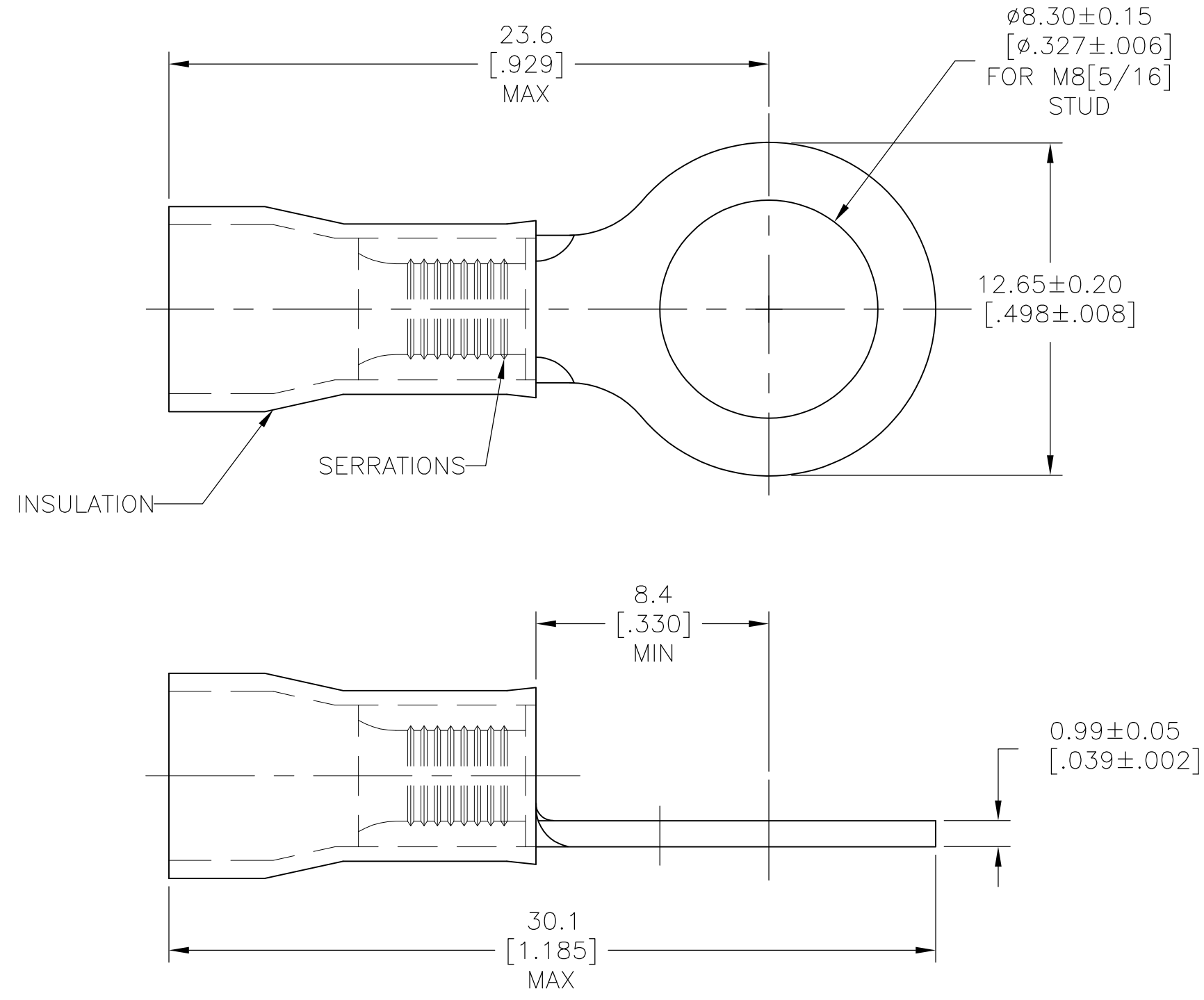


THIS DRAWING IS UNPUBLISHED. RELEASED FOR PUBLICATION  
 © COPYRIGHT - By - ALL RIGHTS RESERVED.

LOC	DIST	REVISIONS			
P	LTR	DESCRIPTION	DATE	DWN	APVD
G	02	A1	REVISED PER ECO-11-020548	06FEB12	KH DR



- 1 COPPER PER ASTM B152
- 2 INSULATION: PVC, YELLOW
- 3 TIN PLATE PER ASTM B545
- 3. FOR 3.80[.150] TO 6.30[.248] MAX INSULATION DIAMETER

OBSOLETE	-	-	2-160296-1
	500	LOOSE PIECE	160296
	QTY	PACKAGE TYPE	PART NO

THIS DRAWING IS A CONTROLLED DOCUMENT.		DWN	KIRAN HOLAL	06FEB12	<b>STE</b> TE Connectivity											
DIMENSIONS: mm [INCHES]		CHK	ROHDE DANIEL	06FEB12												
TOLERANCES UNLESS OTHERWISE SPECIFIED:		APVD	ROHDE DANIEL	06FEB12												
<table border="0"> <tr><td>0 PLC</td><td>± -</td></tr> <tr><td>1 PLC</td><td>± -</td></tr> <tr><td>2 PLC</td><td>± -</td></tr> <tr><td>3 PLC</td><td>± -</td></tr> <tr><td>4 PLC</td><td>± -</td></tr> <tr><td>ANGLES</td><td>± -</td></tr> </table>		0 PLC	± -	1 PLC		± -	2 PLC	± -	3 PLC	± -	4 PLC	± -	ANGLES	± -	NAME	
0 PLC	± -															
1 PLC	± -															
2 PLC	± -															
3 PLC	± -															
4 PLC	± -															
ANGLES	± -															
MATERIAL	FINISH	PRODUCT SPEC	RING TONGUE ,TERMINAL PLASTI GRIP		RESTRICTED TO											
1	2	APPLICATION SPEC	WIRE SIZE: 12-10 AWG		-											
		WEIGHT	-	SIZE	CAGE CODE											
		CUSTOMER DRAWING		A3	00779											
		SCALE		5:1	SHEET											
				1	OF 1											
				REV	A1											