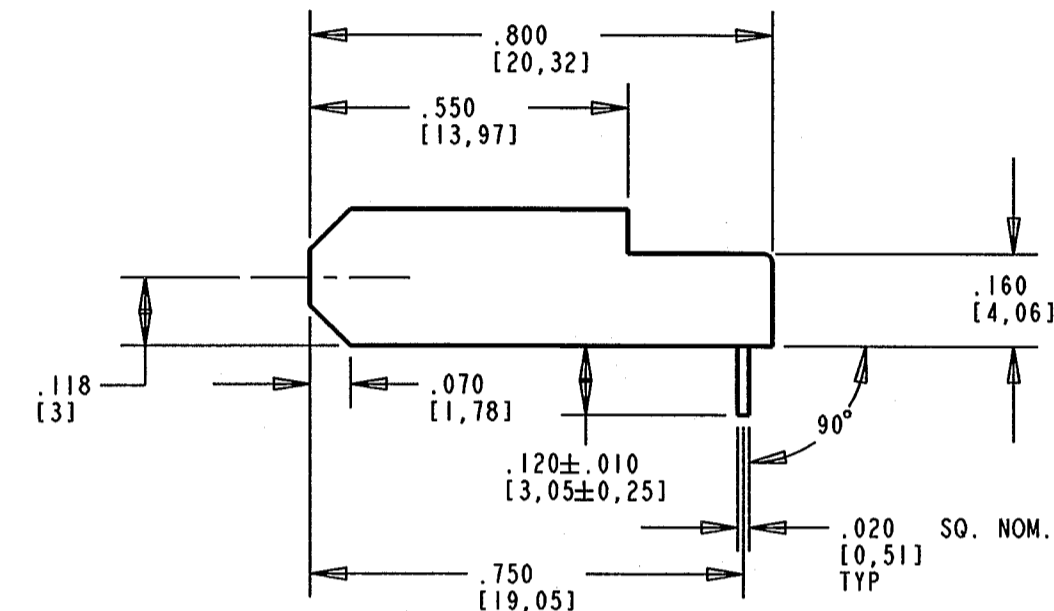
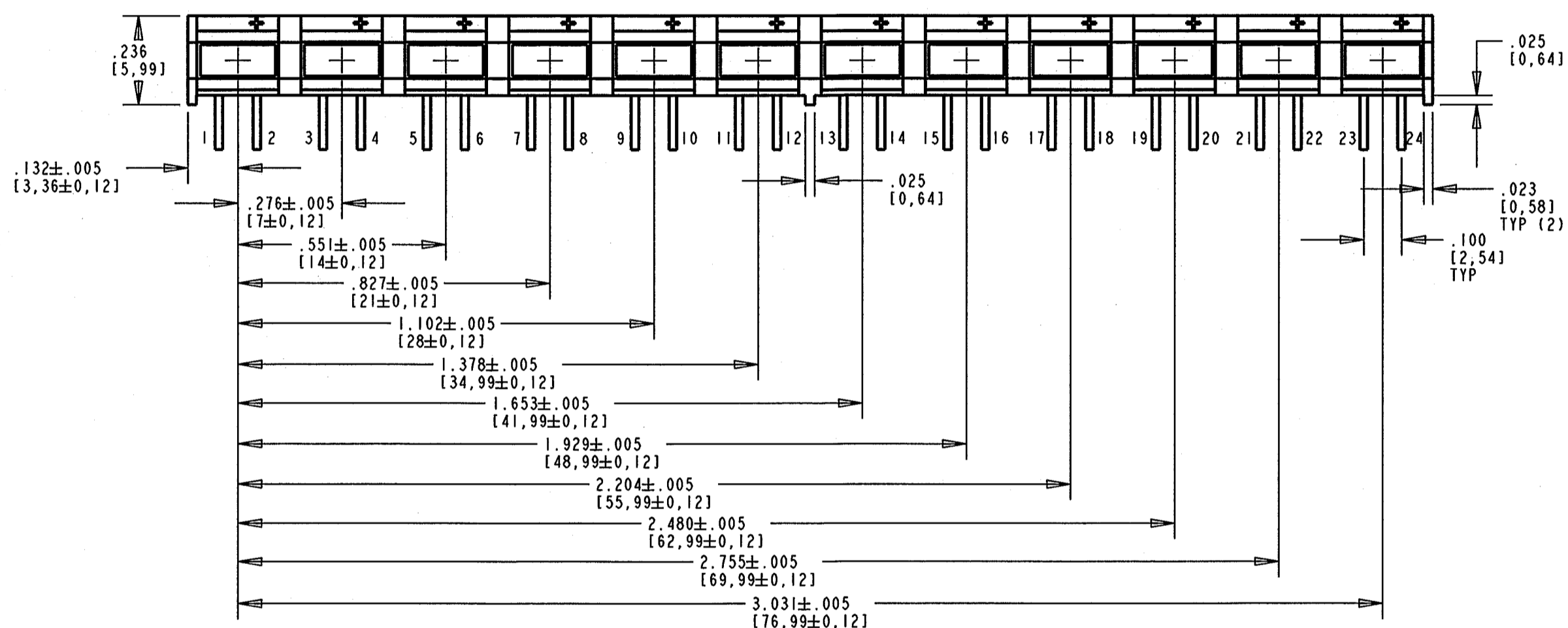
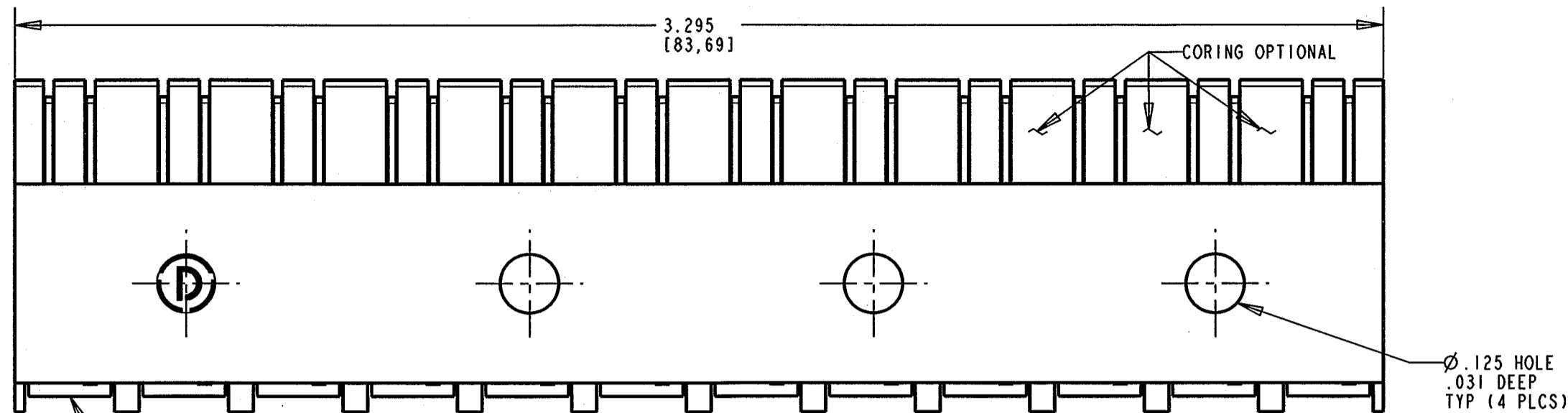
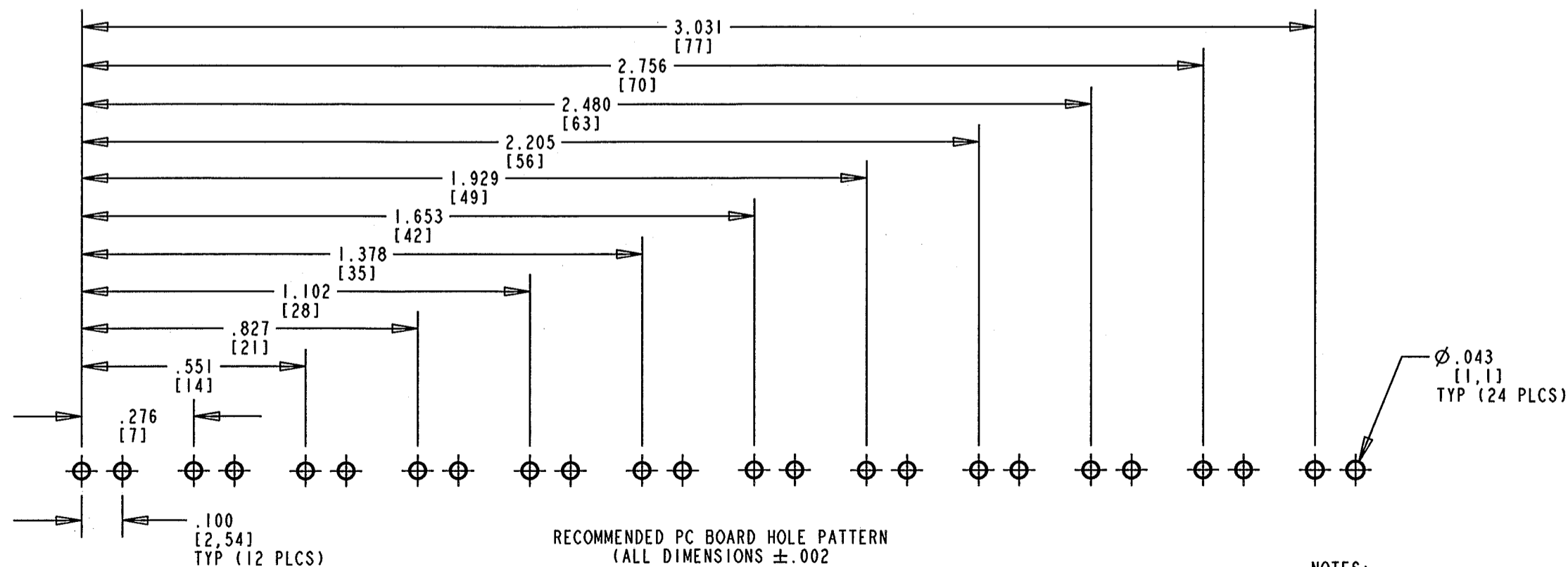


DIALIGHT PART NUMBER	COLOR
566-0208F	GREEN DIFFUSED
566-0308F	YELLOW DIFFUSED
566-0408F	RED DIFFUSED

REV	ECN NO	REVISIONS	DRN	CKD	APP	DATE
A		NEW RELEASE	KLJ	7/21/04	4/28/04	



ABSOLUTE MAXIMUM RATINGS AT 25°C AMBIENT				
	UNITS	RED	YELLOW	GREEN
POWER DISSIPATION	mW	100	60	100
DERATE LINEARLY FROM 50°C	mA/°C	0.4	0.25	0.4
CONTINUOUS FORWARD CURRENT	mA	30	20	30
PEAK FORWARD CURRENT (1/10 DUTY CYCLE, 0.1ms PULSE WIDTH)	mA	120	80	120
LEAD SOLDERING TEMPERATURE, 5 SEC., 1/16" FROM BODY	°C	260		
OPERATING TEMPERATURE	°C	-55 TO +100		
STORAGE TEMPERATURE	°C	-55 TO +100		



OPERATING CHARACTERISTICS AT TA=25°C						
SYMBOL	PARAMETER	COLOR	MIN.	TYP.	MAX.	UNITS TEST CONDITION
V <sub>f</sub>	FORWARD VOLTAGE	RED		2.0	2.8	V I <sub>f</sub> = 20 mA
		YELLOW		2.1	2.6	
		GREEN		2.1	2.6	
V <sub>r</sub>		ALL		5		V I <sub>r</sub> = 100µA
λ <sub>pk</sub>	PEAK WAVELENGTH	RED		635		nm MEASURED AT PEAK
		YELLOW		585		
		GREEN		565		
I <sub>v</sub>	LUMINOUS INTENSITY	RED	3.0	7.4		mcd I <sub>f</sub> = 20 mA
		YELLOW	2.2	7.4		
		GREEN	2.2	7.4		



**ATTENTION:**  
OBSERVE PRECAUTIONS FOR  
HANDLING ELECTROSTATIC  
SENSITIVE DEVICES

**NOTES:**

- LED LEAD DIMENSIONS SHOWN ARE MEASURED AT HOUSING EXIT.
- LEADS TO FIT INTO HOLES SPACED AS PER PATTERN.
- PIN NUMBERS FOR REFERENCE ONLY, DESIGNATION NON-EXISTENT ON PART.
- DIALIGHT PART NUMBERS: 566-0208F, 566-0308F, 566-0408F.
- THIS ASSEMBLY CONTAINS ELECTROSTATIC DISCHARGE SENSITIVE DEVICES (ESDS). MAINTAIN ALL PRECAUTIONARY MEASURES DURING ASSEMBLY, HANDLING, AND STORAGE IN ACCORDANCE WITH IPC-A-610.

**RoHS COMPLIANT 566-0X08F**

Part Numbers with the "F" suffix ending are RoHS Compliant.  
For example: 566-0208F  
Packaging is marked with "RoHS Compliant" label or equivalent markings. Parts can be wave soldered, dip soldered or hand soldered using typical lead-free soldering process with max 260°C temp. for 5 sec.



THIS DRAWING AND THE CONTENTS HEREIN ARE CONFIDENTIAL AND THE SOLE PROPERTY OF DIALIGHT. REPRODUCTION OF THIS DRAWING OR CONSTRUCTION OF ANY PARTS WITHIN THIS DRAWING ARE FORBIDDEN WITHOUT THE WRITTEN CONSENT OF DIALIGHT.		
SCALE: 3.000	DRAWING NUMBER	REV
ALL DIM'S IN: INCHES (MM)	C-17605	A
TOLERANCES: UNLESS OTHERWISE SPECIFIED	TITLE 2mm x 5mm RECTANGULAR LED CBI-12 LED ARRAY; RoHS COMPLIANT	
FRACTIONS: ±1/64	MATERIAL	
DECIMALS (.XX): ±.02	Dialight	
DECIMALS (.XXX): ±.015	1501 ROUTE 34 SOUTH FARMINGDALE, NJ 07727	
DECIMALS (.XXXX): ±.0005	FSCM 83330	
ANGLES: ±3°	SHEET 1 OF 1 FAMILY TABLE:	