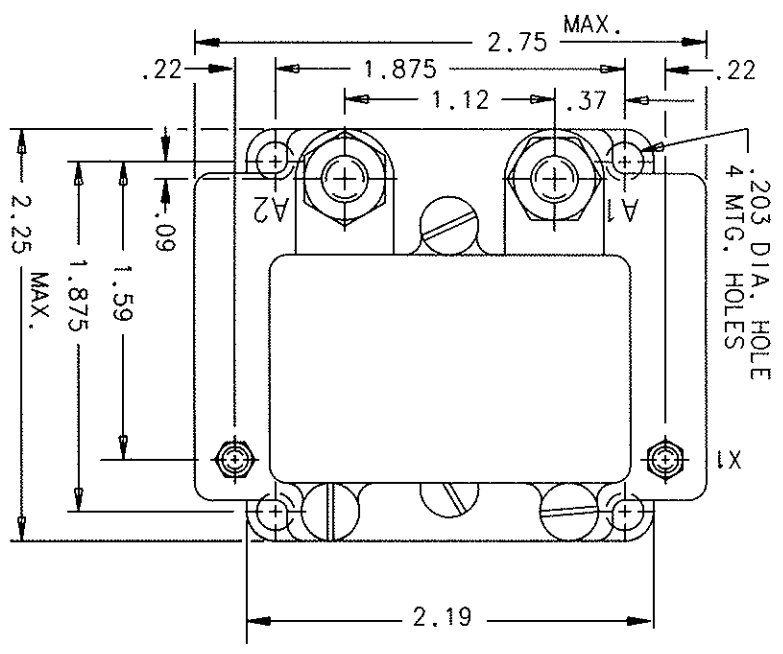


| REV | DESCRIPTION | DATE | APPROVED |
|-----------|--|----------|----------|
| F 2/17/98 | REDRAWN, ADDED SILASTIC SEALED TO CONSTRUCTION | 92/01/10 | KM |
| G 3/11/95 | FIND NO 10 ADDED | 96/10/14 | RS |
| H 0885-04 | FIND NO 3 WAS 41695-001; REMOVED FIND NO 10 | 04/08/30 | CS |



CONSTRUCTION
MAIN CONTACTS
CONFIGURATION
VOLTAGE (NOM.)
CURRENT RES.
INRUSH

COIL DATA
MAX OPERATE
MIN OPERATE
PICKUP AT 25Ω
DROPOUT
RES AT 25Ω
DUTY CYCLE

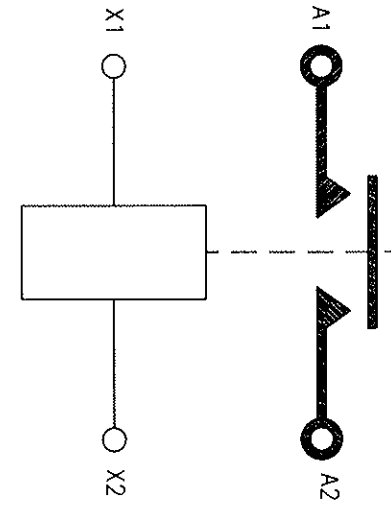
ENVIRONMENTAL DATA
AMBIENT TEMP
LIFE ELECTRICAL
LIFE MECHANICAL
WEIGHT MAX (EST)

GASKET SEALED, SILASTIC SEALED

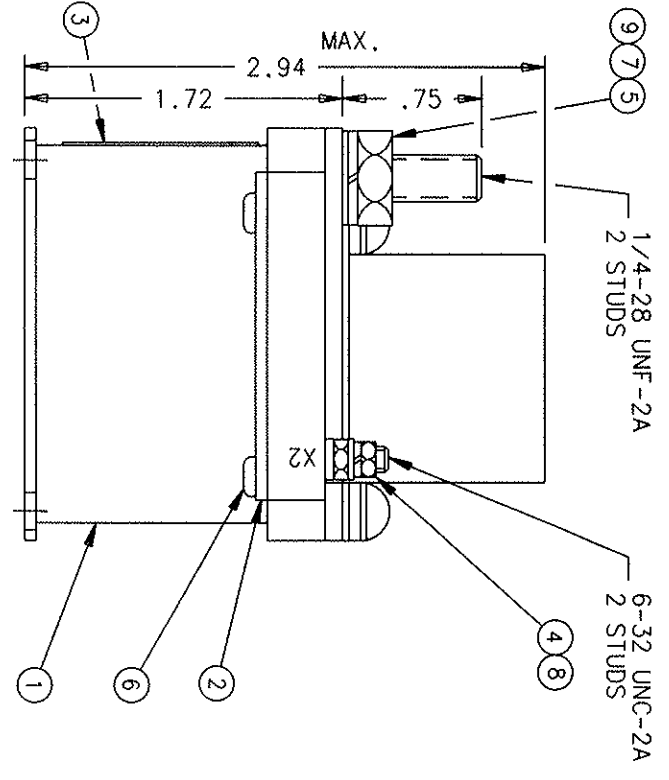
SPST N.O.
28 VDC
200 AMP
800 AMP

32 VDC
24 VDC
16.5 V MAX.
1 TO 7 VDC
70 OHM ± 20%
CONTINUOUS

-55°C TO + 71°C
50,000 CYCLES MIN
100,000 CYCLES MIN
1 LB 8 OZ



NOTE:
THIS UNIT MEETS THE MATERIALS AND WORKMANSHIP
REQUIREMENTS OF MIL-R-6106



| NO | QTY | PART OR IDENTIFYING NO | NOMENCLATURE OR DESCRIPTION | FSD# NO | DRAWING OR SPECIFICATION | MATERIAL OR NOTE |
|----|-----|------------------------|-------------------------------|---------|--------------------------|------------------|
| 10 | 2 | 51807-034 | WASHER-LOCK-NO. 1/4 SPLIT | | | BRONZE |
| 9 | 2 | 51806-014 | WASHER-LOCK-NO. 6 SPLIT | | | BRONZE |
| 8 | 2 | 51703-064 | SCREW-NO. 4 X 1/4 PAN HD. | | | BRASS |
| 7 | 2 | 51200-020 | WASHER-FLAT-1/2 X 17/64 X.032 | | | STAINLESS STEEL |
| 6 | 4 | 50407-364 | WASHER-FLAT-1/2 X 17/64 X.032 | | | BRASS |
| 5 | 2 | 50406-034 | NUT-1/4-28 X 7/16 X 3/16 HEX | | | BRASS |
| 4 | 2 | 50406-034 | NUT-1/4-28 X 7/16 X 3/16 HEX | | | BRASS |
| 3 | 1 | 47618-007 | PLATE-NAME | | | |
| 2 | 2 | 34290-001 | PLATE - COVER | | | |
| 1 | 1 | 32659-060 | CONTACTOR ASSEMBLY - PRI. | | | |

UNLESS OTHERWISE SPECIFIED
DIMENSIONS ARE IN INCHES
TOLERANCES ON

2 PL DEC. 13 PL DEC. ANGLES
* .06 * .010 * 1 *

SCALE 1/1 SHEET

DR BY RLS 196/10/28
CHK BY RS 196/10/28
ENGR DM 196/10/31
MFG JH 196/10/30

CONTACTOR - S.P.S.T. N.O.
200 AMP, 28 VDC

DWG NO. A-1077G

28 Hartman Division, 175 N. Diamond Street, Mansfield, Ohio 44902

REF TYCO P/N 0-1616055-5