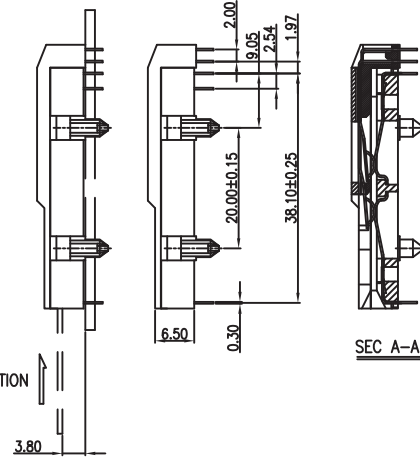
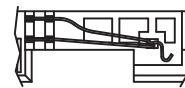


CARD INSERTION
DIRECTION

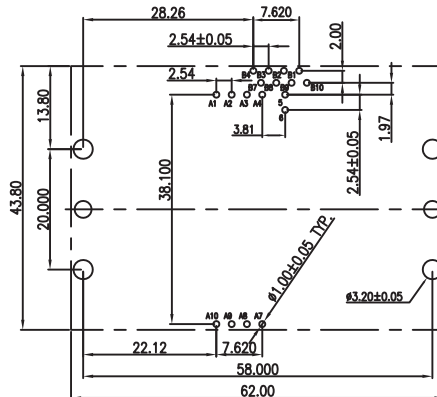
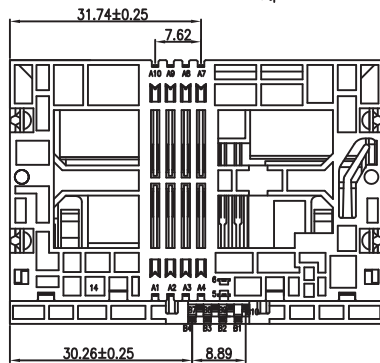
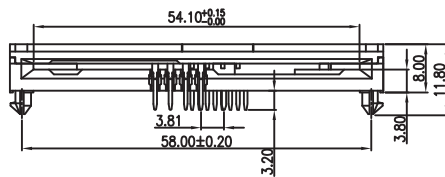


SEC A-A



CLOSE

SWITCH CONTACT TYPE



RECOMMENDED PCB LAYOUT

TECHNICAL CHARACTERISTICS

MATERIAL
INSULATOR: PBT
FLAMABILITY RATING: UL94-V0
COLOR: BLACK
CONTACT MATERIAL: COPPER ALLOY
CONTACT TYPE: STAMPED
CONTACT PLATING: SELECTIVE GOLD
LATCH: STAINLESS STEEL
QUALITY CLASS: 20000 MATING CYCLES

ENVIRONMENTAL
OPERATING TEMPERATURE: -40 UP TO 85°C
COMPLIANCE: LEAD FREE AND ROHS

ELECTRICAL
CURRENT RATING: 1A
WORKING VOLTAGE: 50VDC
INSULATOR RESISTANCE: >1000 MOHM
DIELECTRIC WITHSTANDING VOLTAGE:
750VAC FOR DATA CONTACTS
250VAC FOR SWITCH CONTACTS
CONTACT RESISTANCE: 100 mOHM MAX

SOLDERING
WAVE PROCESS ONLY

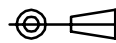
PACKAGING
TRAY

PIN ASSIGNMENT:

Contact No.	Assignment	Description
A1 & B1	Vcc	Power Voltage
A2 & B2	RST	Reset Signal
A3 & B3	CLK	Clocking Signal
A4 & B4	***	Reserved for feature use
5	CD1	Switch contact 1 of card detector
6	CD2	Switch contact 2 of card detector
A7 & B7	GND	Power and Signal Ground
A8 & B8	Vpp	Programming Voltage
A9 & B9	I/O	Serial Data input/output
A10 & B10	***	Reserved for feature use

RoHS Compliant			
G			
F			
E			
D			
C			
B	21-JAN-13	REF MOD P2	QL
A	08-JUL-12	PDF	GG
REV	DATE	FILE	BY

PROJECTION:



APPROVAL: RJ

GENERAL TOLERANCE

.X = +/- 0.2
.XX = +/- 0.15

UNIT: MM

SCALE:

SHEET: 1/2

DRAW: VICKY



DESCRIPTION: WR-CRD Smart Card_Dual Way Header

WERI PART NO: 693 030 021 610

SIZE

A4

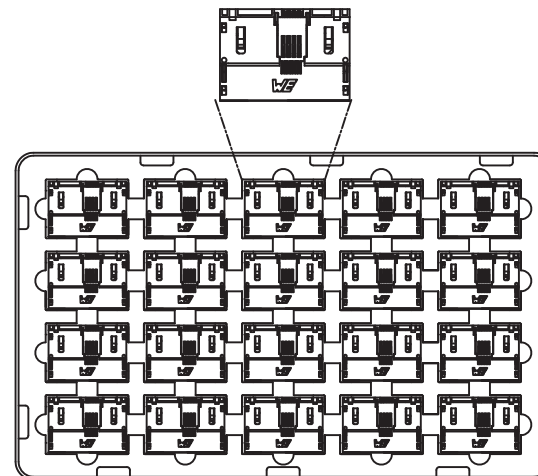
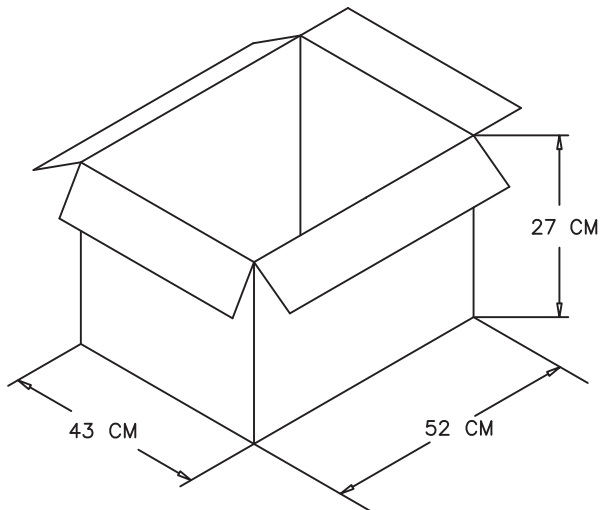
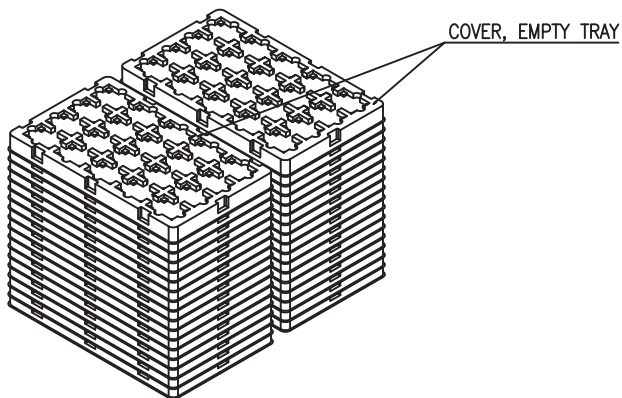
1

2

3

4

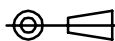
5



TY PART NO.	524XX-XXXXXX0X
DESCRIPTION	SMART CARD
PCS/TRAY	20
TRAY/BOX	36+2(空盤)
TOTAL (PCS)	720
CTN SIZE	52X43X27 CM
TRAY MATERIAL	PS, WHITE
NW	9.95 KG
GW	13 KG

RoHS Compliant

PROJECTION:



GENERAL TOLERANCE

.X = +/- 0.2

.XX = +/- 0.15



APPROVAL: RJ

UNIT: MM

SCALE:

SHEET: 2/2

DRAW: VICKY

DESCRIPTION: SIM Card Connector - Header - 6 pins

WERI PART NO: 693 030 021 610

SIZE

A4

REV	DATE	FILE	BY
-----	------	------	----