

ハウジング HOUSING  
ターミナル TERMINAL

注記;

NOTES;

1. 材質

MATERIAL

ハウジング : ポリエステル (PBT) 、UL94V-0、ナチュラル (白)

HOUSING : POLYESTER(PBT) , UL94V-0, NATURAL(WHITE)

ターミナル : りん青銅

錫めっき : 1.0μm以上

下地 : ニッケルめっき 1.0μm以上

TERMINAL : PHOSPHOR BRONZE

TIN PLATING : 1.0 MICROMETER MINIMUM

UNDERPLATE : NICKEL 1.0 MICROMETER MINIMUM

2. 嵌合相手 : 503469-\*\*\*\*

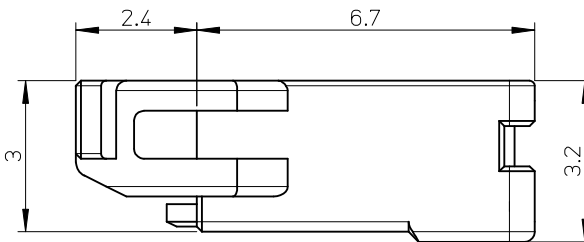
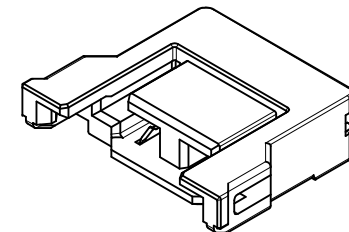
MATE WITH : 503469-\*\*\*\*

3. 本製品のプラスチック部に黒点等が確認される場合や色合いが異なる場合がありますが、製品性能に影響はありません。

THERE IS NO INFLUENCE IN THE PRODUCT PERFORMANCE THOUGH THE BLACK SPOT ETC. MIGHT BE CONFIRMED TO THE PLASTIC PART OF THIS PRODUCT AND THE SHADE MIGHT BE DIFFERENT.

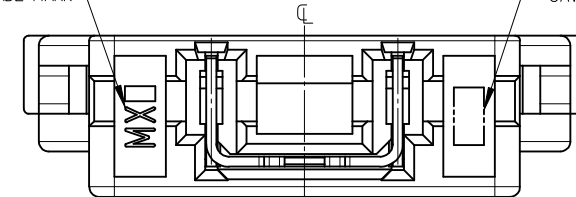
4. ELV及びRoHS適合品

ELV AND RoHS COMPLIANT.



トレードマーク TRADE MARK

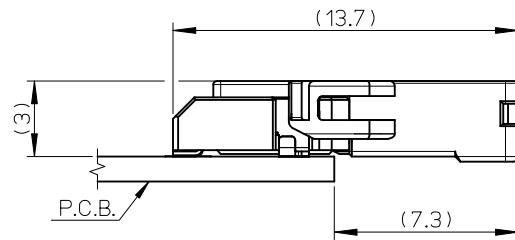
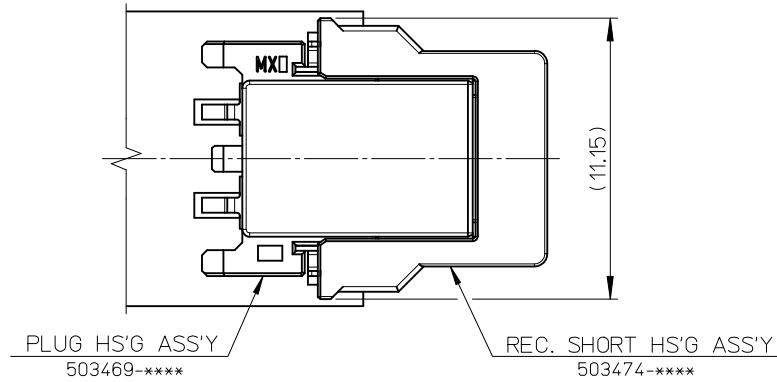
キャビティ番号 CAVITY No.



503474-0200	2
PLASTIC BAG	CIRCUIT 極数
オーダー番号 ORDER No.	
コネクタシリーズ番号 CONNECTOR SERIES No.	503474-**00

RELEASED EC NO: J2010-0155 DRWN:HKOBAYASHI 2009/07/24 CHKD:SSATO03 2009/07/26 APPR:NUKITA 2009/07/27 REV: O	DESCRIPTION GENERAL TOLERANCES (UNLESS SPECIFIED) 10 UNDER ±0.2 10 OVER 30 UNDER ±0.25 30 OVER ±0.3 ANGULAR ±1 ° DRAFT WHERE APPLICABLE MUST REMAIN WITHIN DIMENSIONS	DIMENSION STYLE MM ONLY DRAWN BY DATE H.KOBAYASHI 2009/7/24 CHECKED BY DATE S.SATO 2009/7/24 APPROVED BY DATE N.UKITA 2009/7/24 MATERIAL NO. //	SCALE DESIGN UNITS 10:1 METRIC THIRD ANGLE PROJECTION	TITLE	
				3.7 MULTIPLE CONN. REC. SHORT HS'G ASS'Y	
				MOLEX INCORPORATED DOCUMENT NO. SD-503474-001	SHEET NO. 1 OF 2
				THIS DRAWING CONTAINS INFORMATION THAT IS PROPRIETARY TO MOLEX INCORPORATED AND SHOULD NOT BE USED WITHOUT WRITTEN PERMISSION	
				SIZE A3	

<嵌合状態図(参考)> 503474-\*\*\*\*/503469-\*\*\*\*  
 <MATED CONNECTOR (REFERENCE)>  
 (503474-\*\*\*\*/503469-\*\*\*\*)



SEE SHEET No.1 EC NO.: J2010-0155 DRWN:HKOBAYASHI 2009/07/24 CHKD:SSAT003 2009/07/26 APPR:NUKITA 2009/07/27	GENERAL TOLERANCES (UNLESS SPECIFIED)		DIMENSION STYLE MM ONLY	SCALE 5:1	DESIGN UNITS METRIC	THIRD ANGLE PROJECTION		
	10 UNDER	±0.2	DRAWN BY H.KOBAYASHI	DATE 2009/7/24	TITLE 3.7 MULTIPLE CONN. REC. SHORT HS'G ASS'Y			
	10 OVER 30 UNDER	±0.25	CHECKED BY S.SATO	DATE 2009/7/24				
	30 OVER	±0.3	APPROVED BY N.UKITA	DATE 2009/7/24	MOLEX INCORPORATED DOCUMENT NO. SD-503474-001 SHEET NO. 2 OF 2			
ANGULAR ±1 °		MATERIAL NO. //						
DRAFT WHERE APPLICABLE MUST REMAIN WITHIN DIMENSIONS		THIS DRAWING CONTAINS INFORMATION THAT IS PROPRIETARY TO MOLEX INCORPORATED AND SHOULD NOT BE USED WITHOUT WRITTEN PERMISSION						