

THIS DRAWING IS UNPUBLISHED. RELEASED FOR PUBLICATION  
 © COPYRIGHT - By - ALL RIGHTS RESERVED.

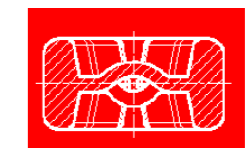
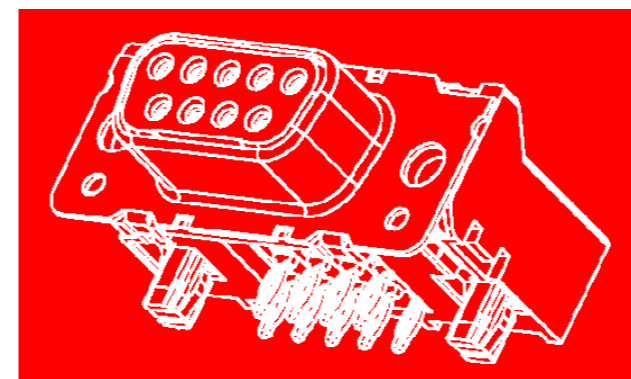
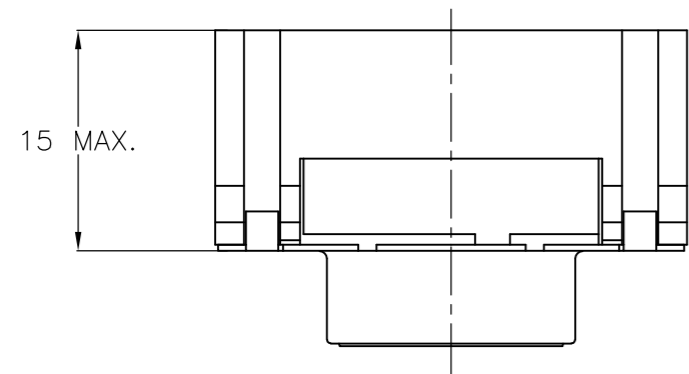
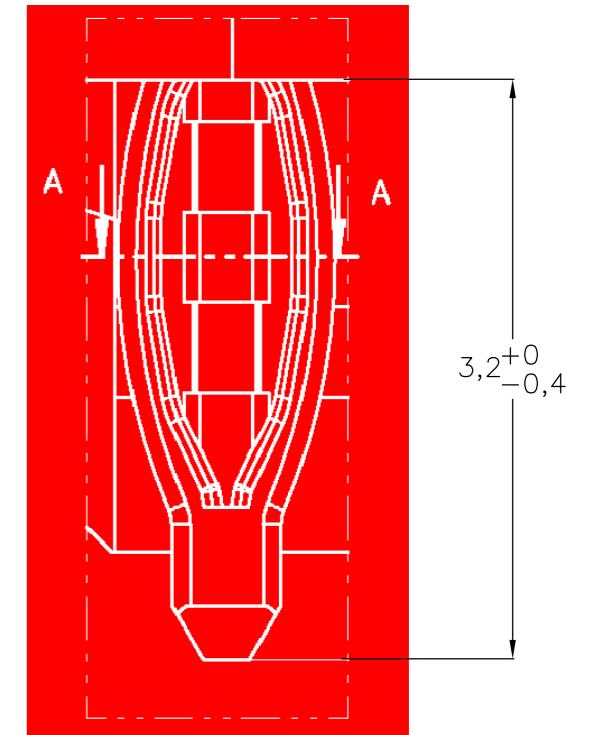
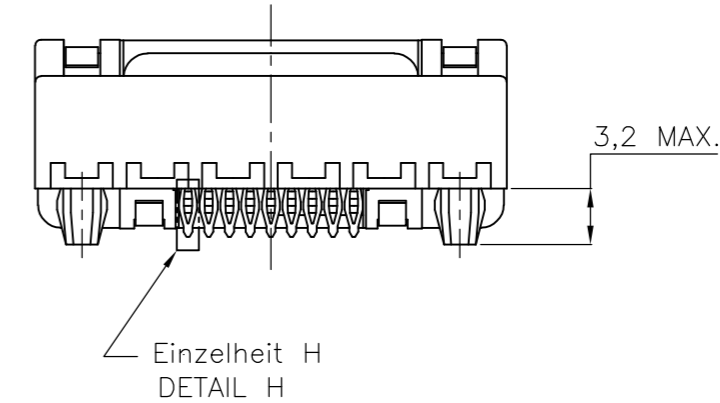
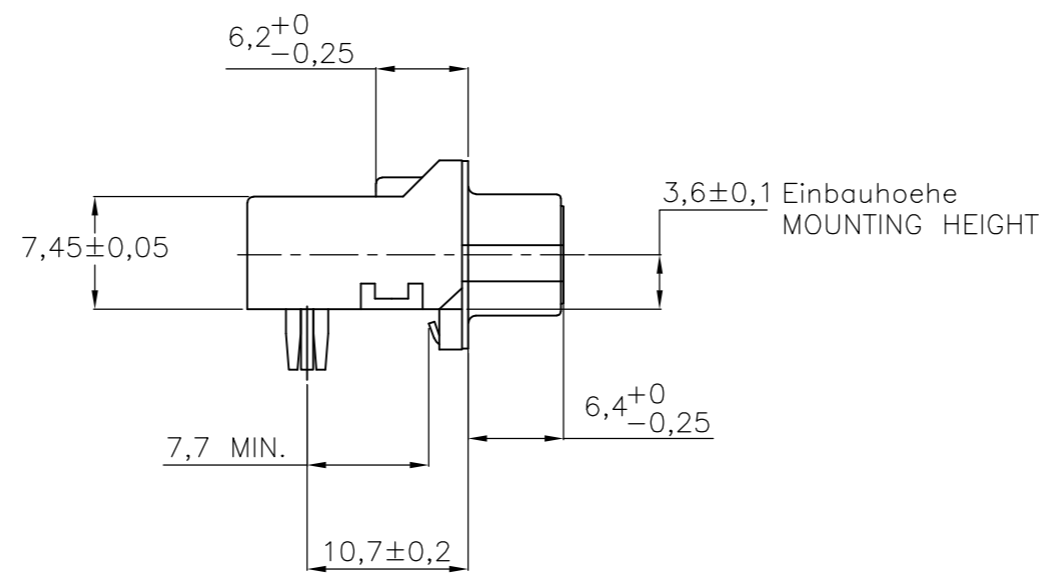
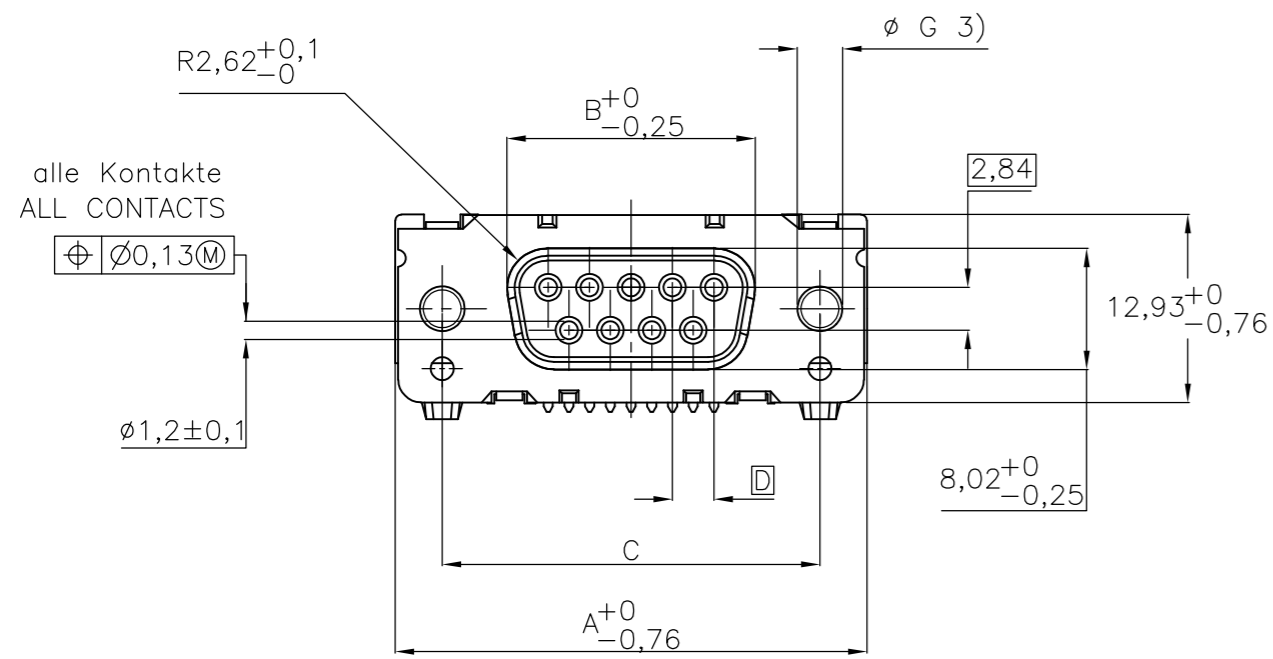
LOC		DIST		REVISIONS			
GP	00	P	LTR	DESCRIPTION	DATE	DWN	APVD
		D		REVISED PER ECO-13-010550	09AUG2013	CJV	SLB

NOTES:

- 1 ACCORDING TO DIN 41652 P.2 AND P.4
- 2 ACCORDING TO DIN 41611 P.5, DIN IEC 352-5; INCL. PLATING
- 3 TORQUE RETENTION >= 70 Ncm
- 4 PLATED-THROUGH HOLE; INCL. PLATING  
 SUITABLE FOR COMPLIANT PRESS-IN ZONE  
 PCB-PLATING-THROUGH : 5...15µm Sn OR SnPb OVER MIN. 25µm Cu  
 DRILLED HOLES :  $\phi 1,15 \pm 0,025$  AND  $\phi 3,15 \pm 0,025$

- 1 Nach DIN 41652 T.2 und T.4
- 2 Nach DIN 41611 T.5, DIN IEC 352-5; incl. Oberflächenbehandlung
- 3 Verdrehsicherheit >= 70 Ncm
- 4 Durchmetallisierte Löcher ; incl. Oberflächenbehandlung:  
 Geeignet für elastische Einpreßzonen  
 Metallisierung des Loches: 5...15µm Sn oder SnPb über min 25µm Cu  
 Bohrdurchmesser:  $\phi 1,15 \pm 0,025$  und  $\phi 3,15 \pm 0,025$

5 OBSOLETE PARTS: OBSOLETE CIS STREAMLINING PER D.RENAUD/D.SINISI



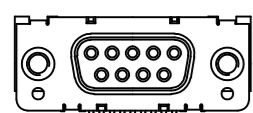
Schnitt A-A (20:1)  
SECTION A-A (20:1)

Sachnr./ORDERCODE V23529-S1***-	Polzahl n CONTACTS N	Maß / DIMENSION			
		A	B	C	D
B*09	09	31,19	16,46	25,00 $\pm 0,13$	2,74
B*15	15	39,52	24,79	33,30 $\pm 0,15$ $-0,1$	2,74
B*25	25	53,42	38,50	47,04 $\pm 0,13$ $-0,13$	2,76
B*37	37	69,70	54,96	63,50 $\pm 0,13$ $-0,13$	2,76

Anforderungsstufe 1)  
PERFORMANCE LEVEL 1)

Sachnr./ORDERCODE	Maß / DIMENSION
V23529-	$\phi G$
S1*02-B***	M3
S1*03-B***	4-40UNC

1:1



Dargestellt wird die 9-polige Ausführung V23529-S1202-C209  
 ON THE DRAWING : THE 9 POLE VERSION V23529-S1202-C209

THIS DRAWING IS A CONTROLLED DOCUMENT.		DWN STERCKX	16JAN96	<b>TE</b> TE Connectivity	
DIMENSIONS: mm		CHK -	APVD EC CS CI		
TOLERANCES UNLESS OTHERWISE SPECIFIED:		PRODUCT SPEC		SIZE A2	
0 PLC ± - 1 PLC ± - 2 PLC ± - 3 PLC ± - 4 PLC ± - ANGLES ± -		APPLICATION SPEC		CAGE CODE 00779	
MATERIAL		FINISH		DRAWING NO 1-1393482-2	
		WEIGHT -		RESTRICTED TO -	
CUSTOMER DRAWING				SCALE NTS	SHEET 1 of 3

LOC		DIST		REVISIONS			
P	LTR	DESCRIPTION	DATE	DWN	APVD		
-	-	SEE SHEET 1	-	-	-		

Verpreßhinweis  
PRESS-IN INFORMATION

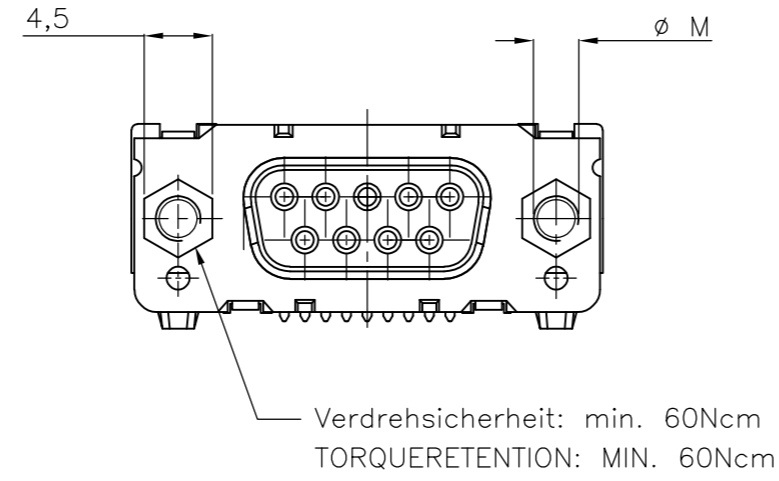
- Einpressen über Kunststoff mit :
- 2-Hub-Press 60kN : 1-1393491-3
  - Einpreßmaschine 60/100kN : 4-1393488-2
- Zu verwendene Werkzeuge :
- Drückstück : 1393490-6
  - Amboß : 3-1393489-5
- Einstellhöhe : Abstand zwischen LP und angedrucktem Stempel : 7,45 bis 7,6mm

- PRESSING IN VIA THE PLASTIC BODY :
- 2-STROKE PRESS 60KN : 1-1393491-3
  - PRESS-FIT MACHINE 60/100KN : 4-1393488-2

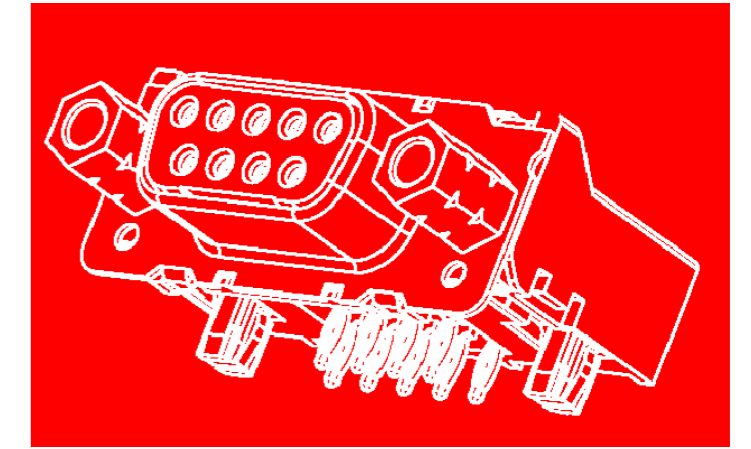
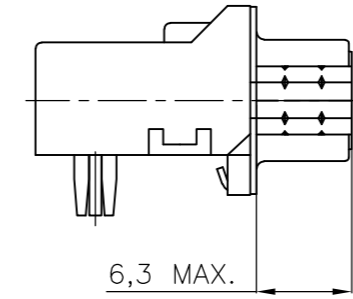
- PRESSING-IN TOOLS :
- COMPRESSION TOOL : 1393490-6
  - ANVIL : 3-1393489-5

SET-UP HEIGHTS : DISTANCE BETWEEN PCB AND COMPRESSION TOOL : 7,45 TO 7,6 mm

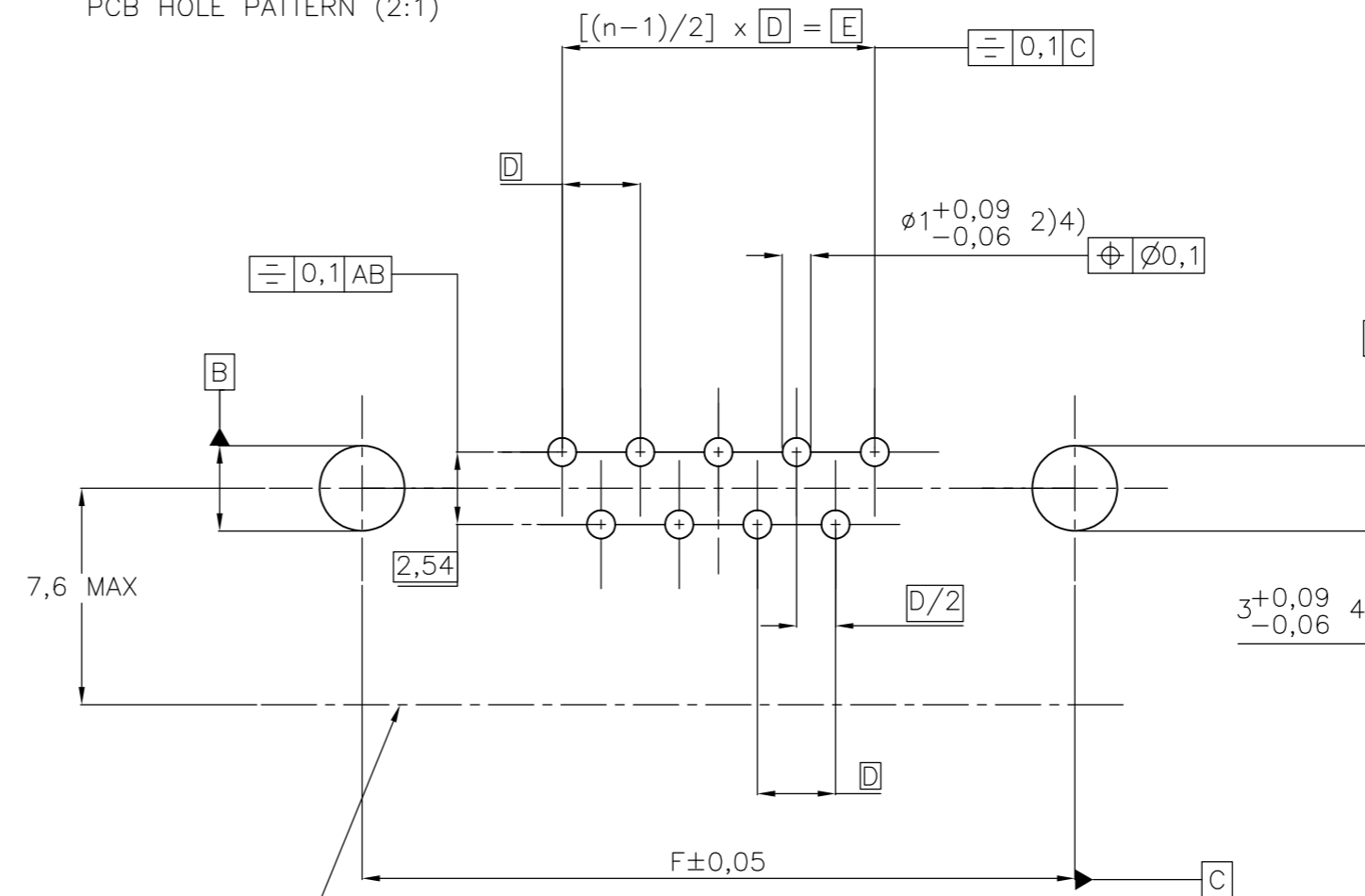
Ausführung mit Gewindebolzen  
VERSION WITH STUDBOLT  
V23529-S1\*04/S1\*05-B\*\*\*



Sachnr./ORDERCODE	Maß / DIMENSION
V23529-	ø M
S1*04-B***	M3
S1*05-B***	4-40UNC



Leiterplattenbohrung (2:1)  
PCB HOLE PATTERN (2:1)



Kantenseite der Leiterplatte  
PCB-BOARDER

Erläuterungen siehe Seite 1  
REMARKS SEE PAGE 1

Sachnr./ORDERCODE	Polzahl n CONTACTS N	Maß / DIMENSION		
		D	E	F
V23529-S1***-				
B*09	09	2,74	10,96	25,00
B*15	15	2,74	19,18	33,30
B*25	25	2,76	33,12	47,04
B*37	37	2,76	49,68	63,50

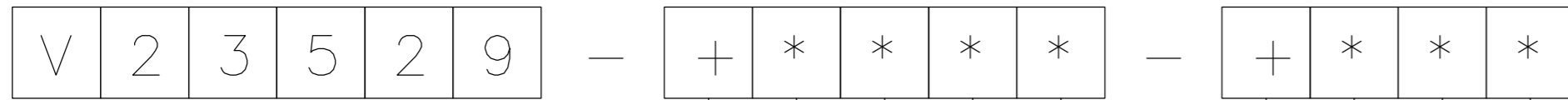
Anforderungsstufe 1)  
PERFORMANCE LEVEL 1)

THIS DRAWING IS A CONTROLLED DOCUMENT. DIMENSIONING AND TOLERANCING PER ASME Y14.5M-2009		DWN STERCKX	16JAN96	<b>TE</b> TE Connectivity	
DIMENSIONS: mm		CHK -	APVD EC CS CI		
TOLERANCES UNLESS OTHERWISE SPECIFIED:		PRODUCT SPEC		NAME Sub-D 90° abgewinkelt Eurostyle Einpreß Buchsenleiste	
0 PLC	± -	APPLICATION SPEC		D-SUB 90° ANGLED EUROSTYLE PRESS FIT SOCKET	
1 PLC	± -	-		OLD PN: V23529-S***-B***-7427	
2 PLC	± -	-		SIZE	RESTRICTED TO
3 PLC	± -	-		CAGE CODE	
4 PLC	± -	-		DRAWING NO	
ANGLES	± -	-		A2 00779	1-1393482-2
MATERIAL	FINISH	WEIGHT		-	
-		-		CUSTOMER DRAWING	
		SCALE		SHEET	REV
		NTS		2 of 3	D

THIS DRAWING IS UNPUBLISHED. RELEASED FOR PUBLICATION  
 © COPYRIGHT - By - ALL RIGHTS RESERVED.

LOC	DIST	REVISIONS					
GP	00	P	LTR	DESCRIPTION	DATE	DWN	APVD
		-		SEE SHEET 1	-	-	-

SUB-D 90° abgewinkelt Einpreß // D-SUB 90° PRESS-IN



EINBAUHÖHE // MOUNTING HEIGHT  
 S = Eurostylebauhöhe 3.6mm // EUROSTYLE 3.6 mm

AUFBAU // CONFIGURATION  
 1 = isoliert // INSULATED  
 2 = geschirmt 1) // SHIELDED 1)

BESCHRIFTUNG // MARKING  
 1 = TE // TE  
 2 = Neutral // NEUTRAL  
 3 = Sonderbeschriftung A // SPECIAL MARKING A  
 4 = Sonderbeschriftung B // SPECIAL MARKING B  
 5 = Sonderbeschriftung C // SPECIAL MARKING C

ANSCHLUßAUSFÜHRUNG // CONTACT TYPE  
 0,1 = EP-Stiel 3.2 mm // PRESS-IN PIN 3.2 mm LONG

BEFESTIGUNG Steckseite/Leiterplatteseite // MOUNTING CONNECTOR/PCB

01 = Loch Ø3 / ohne Massekontakt	// HOLE Ø3 / WITHOUT GROUNDING
02 = Gewinde M3 / mit Massekontakt	// THREAD M3 / WITH GROUNDING
03 = Gewinde 4-40 UNC / mit Massekontakt	// THREAD 4-40 UNC I WITH GROUNDING
04 = Gewindebolzen M3 / mit Massekontakt	// STUDBOLT SREWLOCK M3 / WITH GROUNDING
05 = Gewindebolzen 4-40 UNC / mit Massekontakt	// STUDBOLT SREWLOCK 4-40 UNC / WITH GROUNDING 0 UNC /

STECKERPOLZAHL // NO OF CONTACTS  
 09 = 9-polig // 9-CONTACT  
 15 = 15-polig // 15-CONTACT  
 25 = 25-polig // 25-CONTACT  
 37 = 37-polig // 37-CONTACT

ANFORDERUNGSSTUFE // PERFORMANCE LEVEL CONTACT SURFACE  
 2 = Anf. II // PL II Au OR Au FLASH OVER PdNi

STECKERART //CONNECTOR TYPE  
 B = Buchsenleiste // FEMALE CONNECTOR

ACTIVE PART NUMBERS. CONTACT TE CONNECTIVITY FOR OTHER CONFIGURATION AVAILABILITY

	OLD PART NUMBER	PATRT NUMBER
	V23529-S1102-B209	1-1393482-2
	V23529-S1102-B215	1-1393482-3
	V23529-S1102-B225	9-1393487-2
5	<del>OBSOLETE V23529-S1102-B237</del>	<del>2-1393497-9</del>
	<del>OBSOLETE V23529-S1103-B209</del>	<del>1-1393482-6</del>
	<del>OBSOLETE V23529-S1103-B215</del>	<del>1-1393482-8</del>
	<del>OBSOLETE V23529-S1103-B225</del>	<del>3-1392010-9</del>
	<del>OBSOLETE V23529-S1103-B237</del>	<del>4-1392010-0</del>
	V23529-S1104-B209	2-1393482-0
	V23529-S1105-B209	2-1393482-2
	V23529-S1105-B215	2-1393482-4
	V23529-S1105-B225	2-1393482-6
	V23529-S1105-B237	2-1393482-8

1) in Vorbereitung // IN PREPARATION

THIS DRAWING IS A CONTROLLED DOCUMENT. DIMENSIONING AND TOLERANCING PER ASME Y14.5M-2009		DWN STERCKX	16JAN96	TE Connectivity Sub-D 90° abgewinkelt Eurostyle Einpreß Buchsenleiste D-SUB 90° ANGLED EUROSTYLE PRESS FIT SOCKET OLD PN: V23529-S****-B***-*7427	
DIMENSIONS: mm		CHK -	APVD EC CS CI		
		TOLERANCES UNLESS OTHERWISE SPECIFIED: 0 PLC ± - 1 PLC ± - 2 PLC ± - 3 PLC ± - 4 PLC ± - ANGLES ± -		PRODUCT SPEC	RESTRICTED TO
MATERIAL		WEIGHT	SCALE	CAGE CODE	DRAWING NO
-		-	A2	00779	C=1-1393482-2
CUSTOMER DRAWING			SCALE	SHEET	REV
			NTS	3 OF 3	D

1-1393482-2