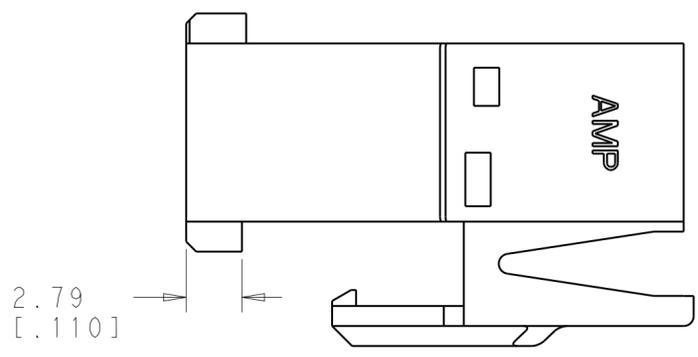
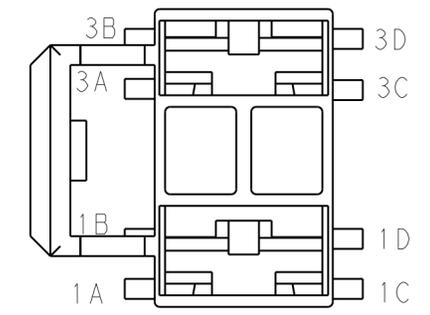
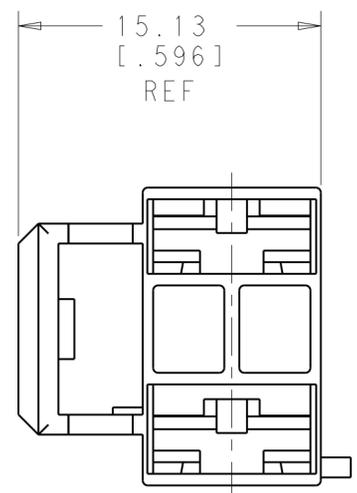
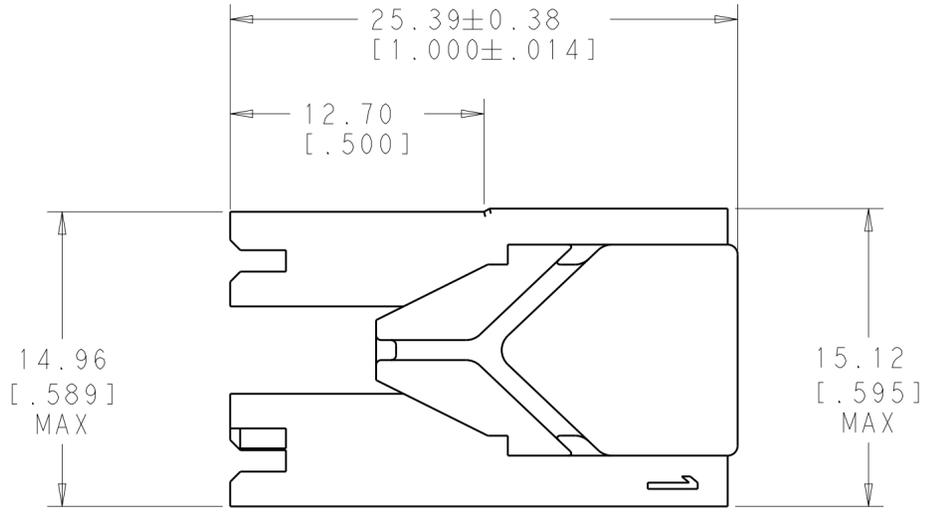
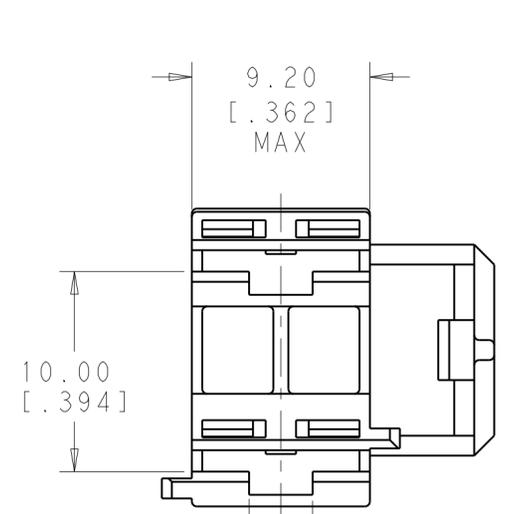


THIS DRAWING IS UNPUBLISHED. RELEASED FOR PUBLICATION 2012  
 © COPYRIGHT 2012 BY TE CONNECTIVITY ALL RIGHTS RESERVED.

LOC		DIST		REVISIONS			
P	LTR	DESCRIPTION	DATE	DWN	APVD		
	C	REVISED PER ECR-17-002628	14MAR2017	NK	JP		



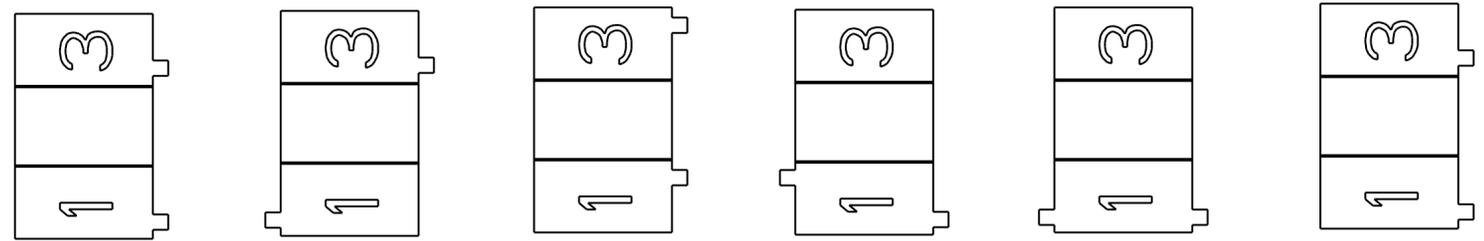
- 1 ACCORDING TO IEC 60335-1, GWPEPT 750°C WITHOUT FLAME
- 2 PRELIMINARY - NOT FOR PRODUCTION
- 3 PREPRODUCTION - FASR REQUIRED



SPECIAL REAR VIEW THAT MATES WITH THE HEADER VIEWS BELOW SHOWING THE KEYING & POLARIZATION



1	1C	1A	BLUE	3	5-1969536-5
1	3C	1A	YELLOW	3	5-1969536-2
	1C, 3C	NONE	GRAY	3	1969536-6
	1C	1A	BLUE	3	1969536-5
	1C	1B	BLACK	3	1969536-4
	1D, 3D	NONE	NATURAL	3	1969536-3
	3C	1A	YELLOW	3	1969536-2
	1C, 3C	NONE	GREEN	3	1969536-1
	KEYING FEATURE	POLARIZATION FEATURE	COLOR		PART NUMBER



HEADER VIEWS

THIS DRAWING IS A CONTROLLED DOCUMENT.

DWN	JR RUTH	19JUN2012
CHK	F LUPO	15MAR2017
APVD	R ROBONE	15MAR2017

TE Connectivity

HOUSING, RECEPT, POSI-LOCK MK III, 6.35 [.250] SERIES, 3 POSITION, 2 CIRCUIT

SCALE 4:1 SHEET 1 OF 1 REV C