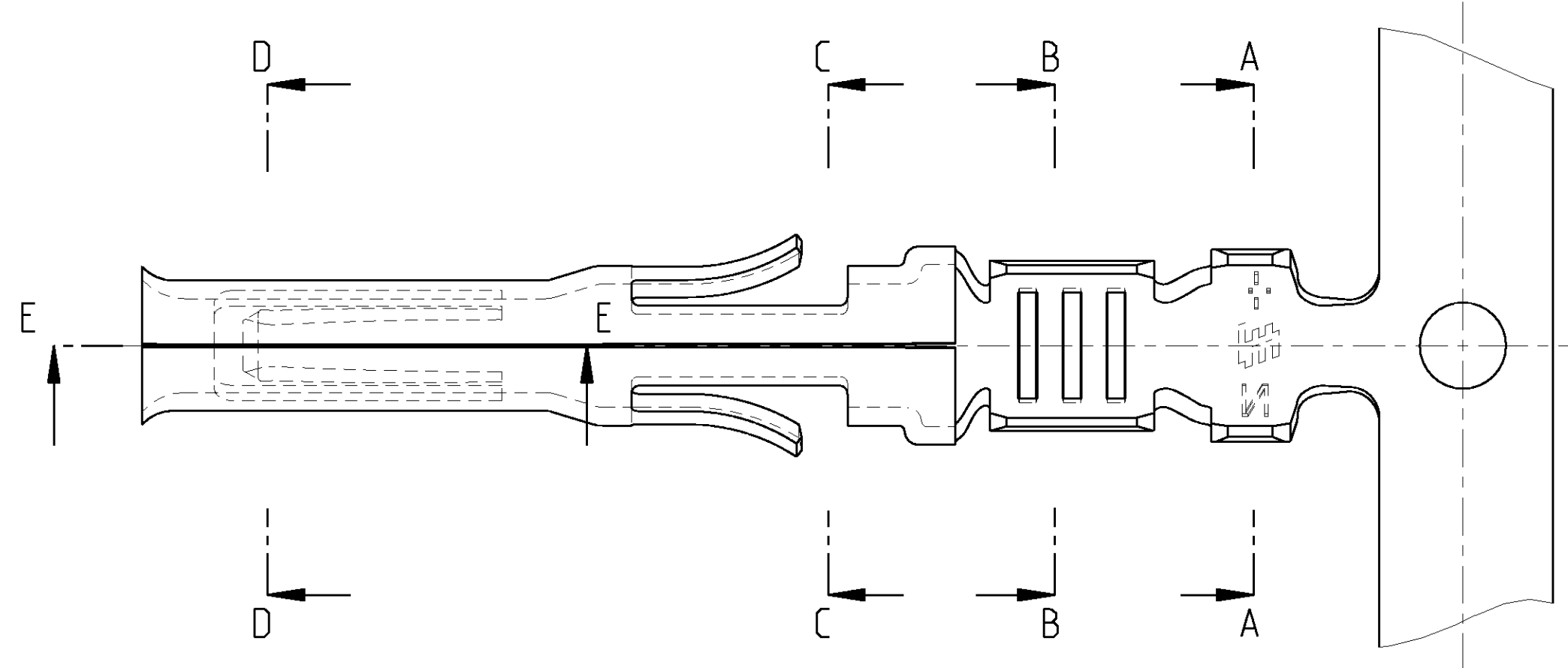
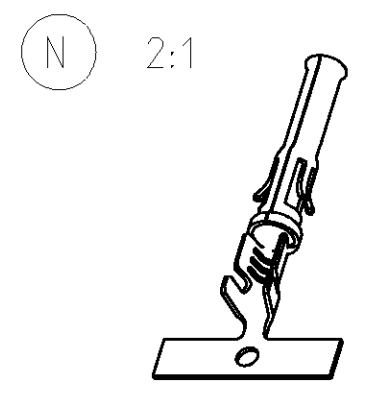
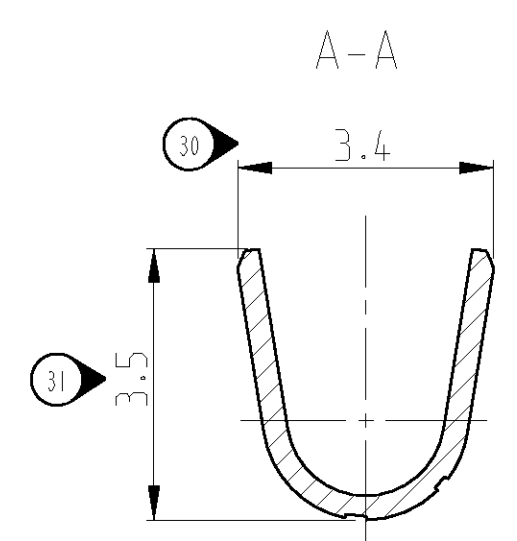
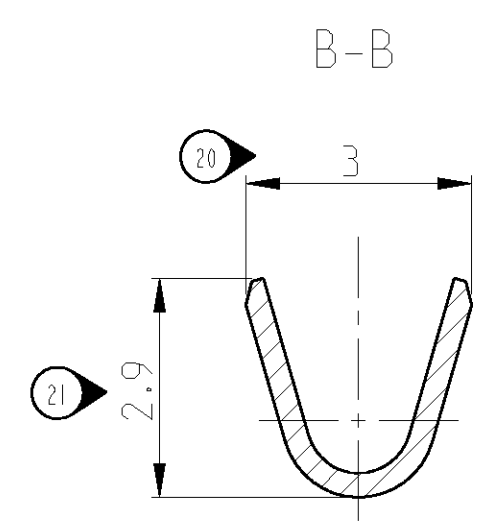
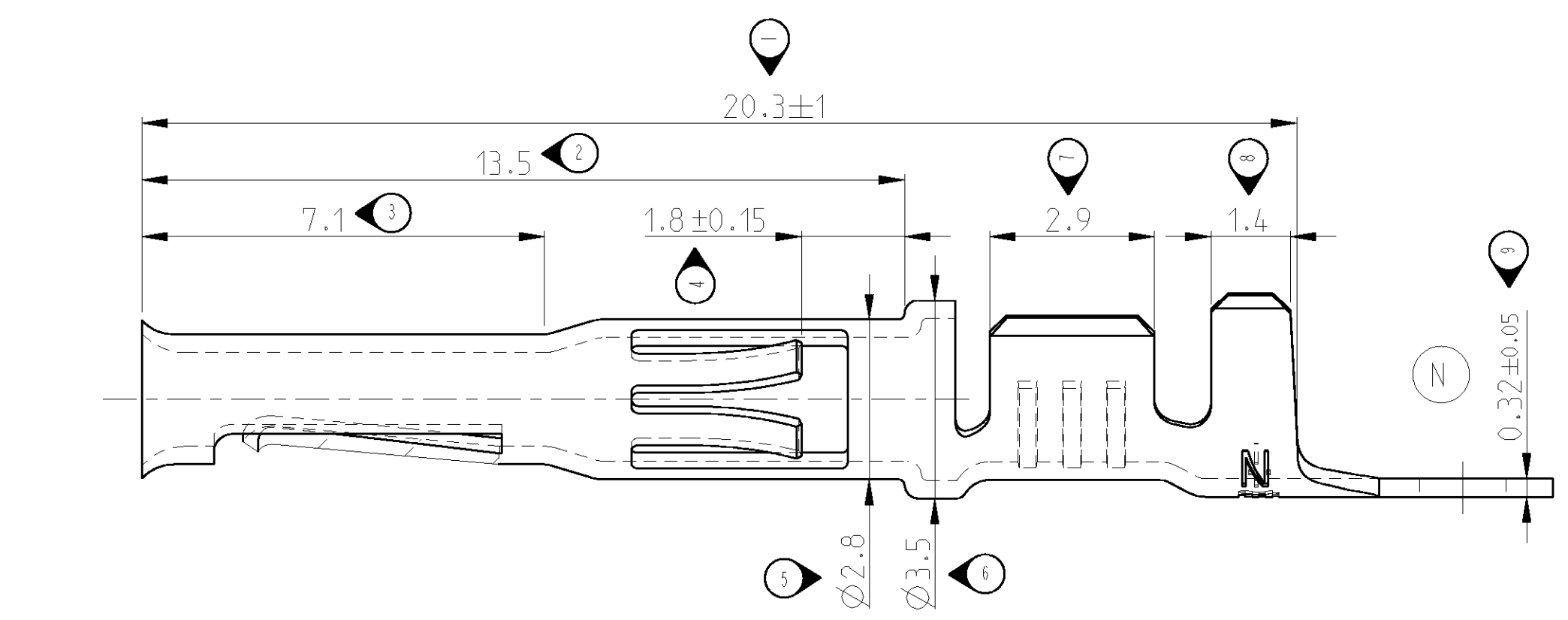
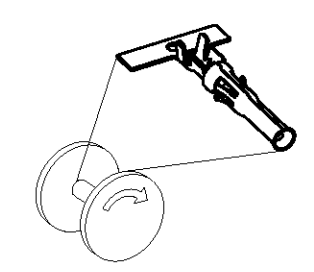


THIS DRAWING IS UNPUBLISHED. RELEASED FOR PUBLICATION 2007
 © COPYRIGHT 2007 BY TYCO ELECTRONICS CORPORATION. ALL RIGHTS RESERVED.

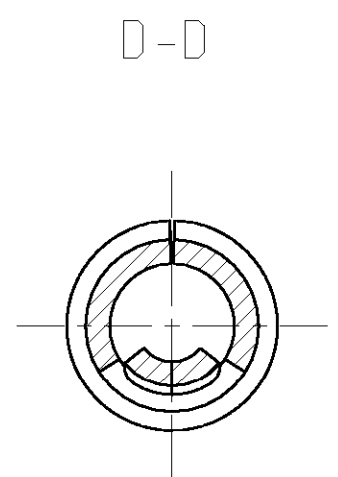
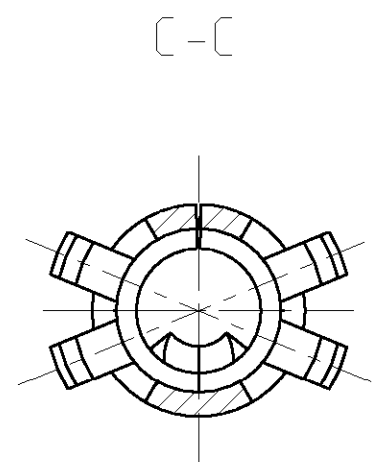
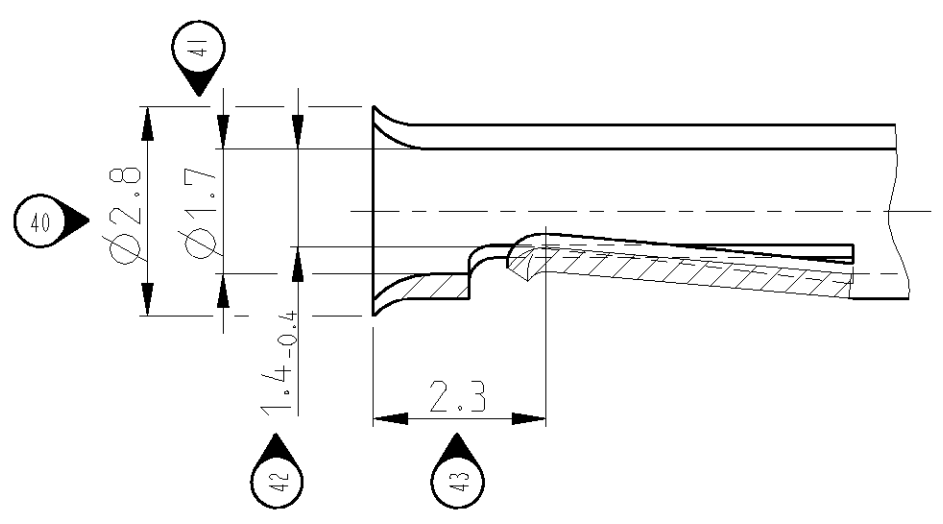
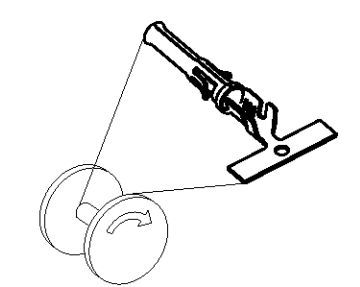
LOC	DIST	REVISIONS			
P	LTR	DESCRIPTION	DATE	DWN	APVD
	N	SEE ECR-07-011920	14JUN2007	TK	RVL



(N) REELING, DIRECTION OFF THE REEL



(N) REELING, DIRECTION OFF THE REEL



2.0-2.7	0.5-1.0	PRETINNED	CuZn30 R500	925601-1	N	925591-6
		PRETINNED	CuSn4 R520	925601-3	N	925591-3
		PRETINNED	CuZn30 R500	925601-1	N	925591-1
INSULATION RANGE Isolations- durchmesser	WIRE RANGE DGB [mm ²]	FINISH Oberfläche	MATERIAL	TYCO ORDER No. LOOSE PIECE Einzelauflöhrung	REV	TYCO ORDER No. STRIP FORM Bandware

THIS DRAWING IS A CONTROLLED DOCUMENT FOR TYCO ELECTRONICS CORPORATION. IT IS SUBJECT TO CHANGE AND THE CONTROLLING ENGINEERING ORGANIZATION SHOULD BE CONTACTED FOR THE LATEST REVISION.

DWN: T.Konecny 10MAY2007
 CHK: J.Skoda 12JUN2007
 APVD: R.Vitek 14JUN2007

Tyco Electronics Tyco Electronics Czech s.r.o.
 CZ- K AMP 1293. 664 34 Kurim

NAME: CIC SOCKET CONTACT
 CIC Buchse

SIZE	CAGE CODE	DRAWING NO	RESTRICTED TO
A2	00779	925591	-

CUSTOMER DRAWING SCALE 10:1 SHEET 1 OF 1 REV N