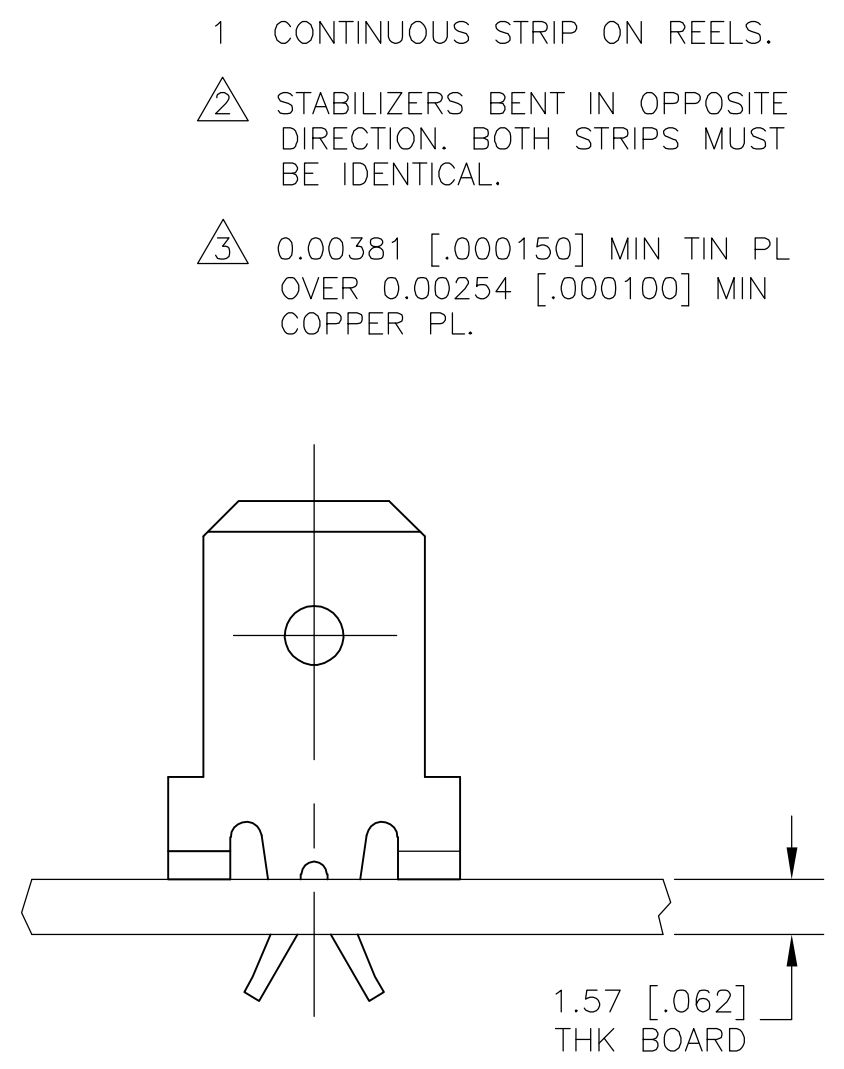
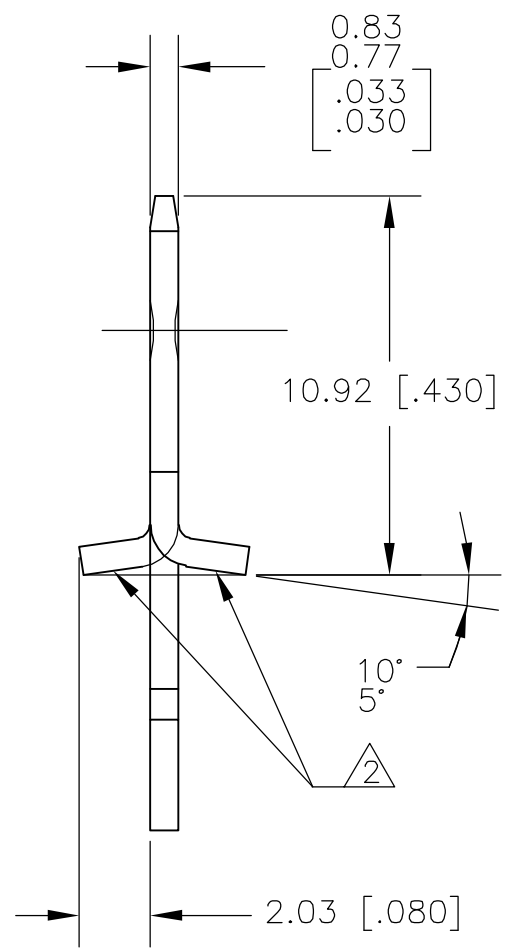
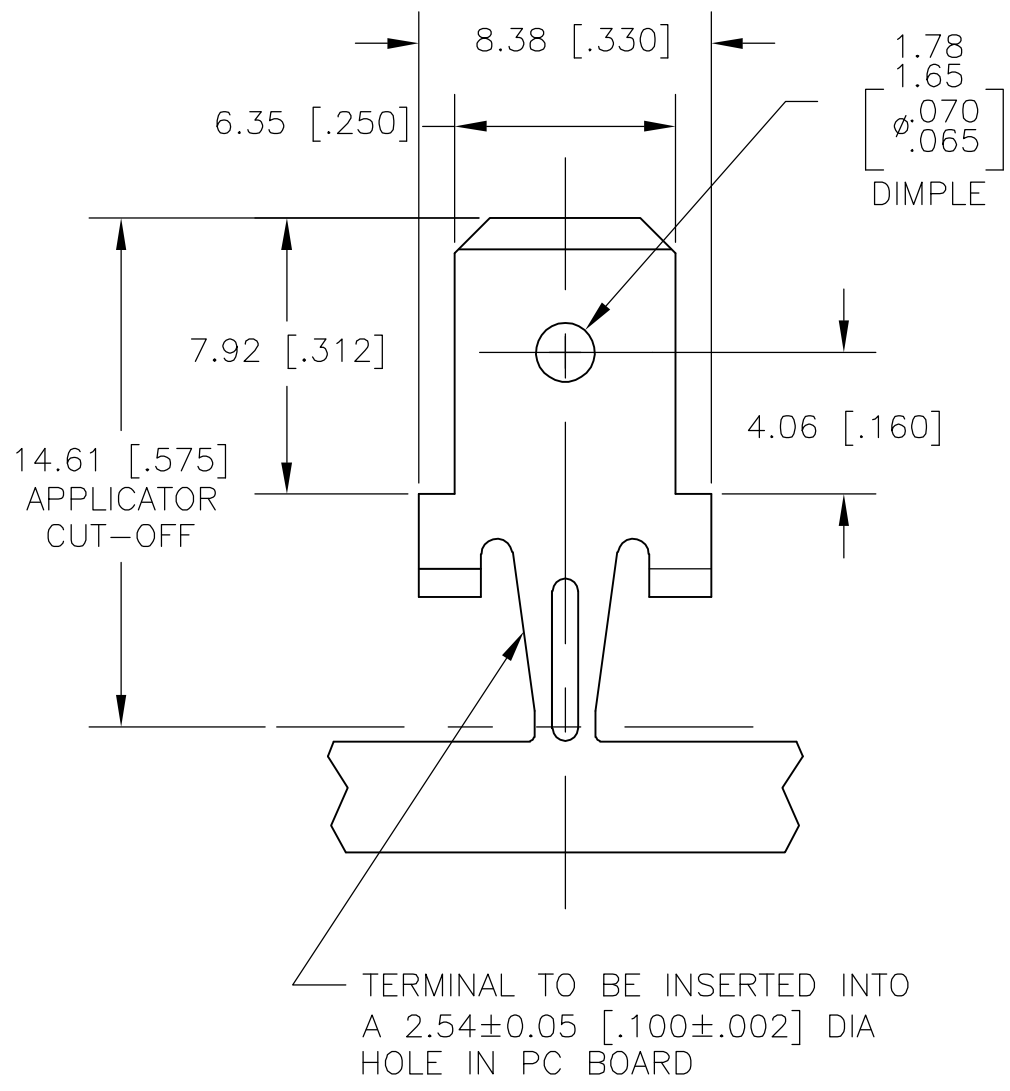


LOC	DIST	REVISIONS					
AF	50	P	LTR	DESCRIPTION	DATE	DWN	APVD
			K	REV PER ECR-05-017407	14APR06	HMR	KR



TERMINAL INSERTED AND CLINCHED IN PC BOARD

63067-1	63066-1
L.P. P/N	PART NO.

THIS DRAWING IS A CONTROLLED DOCUMENT.		DWN	JR RUTH	20FEB01	<p>Tyco Electronics Corporation Harrisburg, PA 17105-3608</p>												
DIMENSIONS: mm [INCHES]		CHK	MS FEHER	20FEB01													
TOLERANCES UNLESS OTHERWISE SPECIFIED:		APVD	N DEIBERT	20FEB01													
<table border="1"> <tr><td>0 PLC</td><td>± -</td></tr> <tr><td>1 PLC</td><td>± -</td></tr> <tr><td>2 PLC</td><td>± 0.38 [.015]</td></tr> <tr><td>3 PLC</td><td>± -</td></tr> <tr><td>4 PLC</td><td>± -</td></tr> <tr><td>ANGLES</td><td>± -</td></tr> </table>		0 PLC	± -	1 PLC		± -	2 PLC	± 0.38 [.015]	3 PLC	± -	4 PLC	± -	ANGLES	± -	PRODUCT SPEC	NAME	
0 PLC	± -																
1 PLC	± -																
2 PLC	± 0.38 [.015]																
3 PLC	± -																
4 PLC	± -																
ANGLES	± -																
MATERIAL	082 BRASS	FINISH	3		SIZE	A3	CAGE CODE	00779	DRAWING NO	C-63066	RESTRICTED TO	-					
CUSTOMER DRAWING					SCALE	5:1	SHEET	1 OF 1	REV	K							