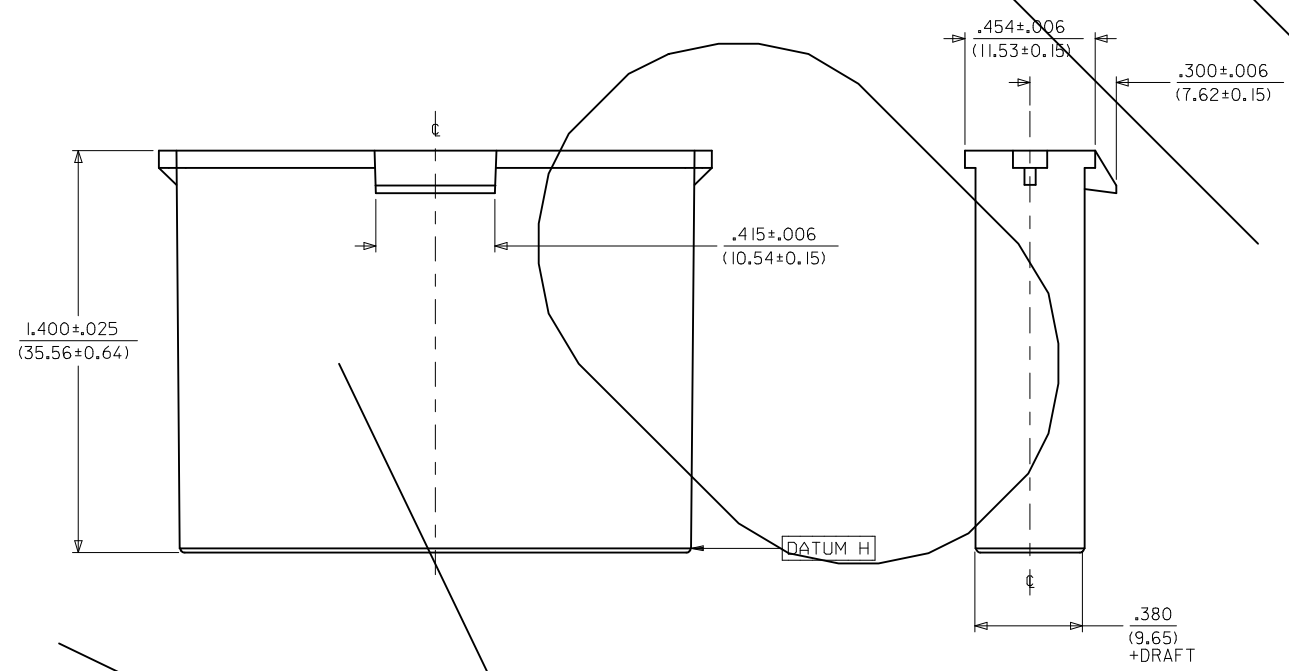
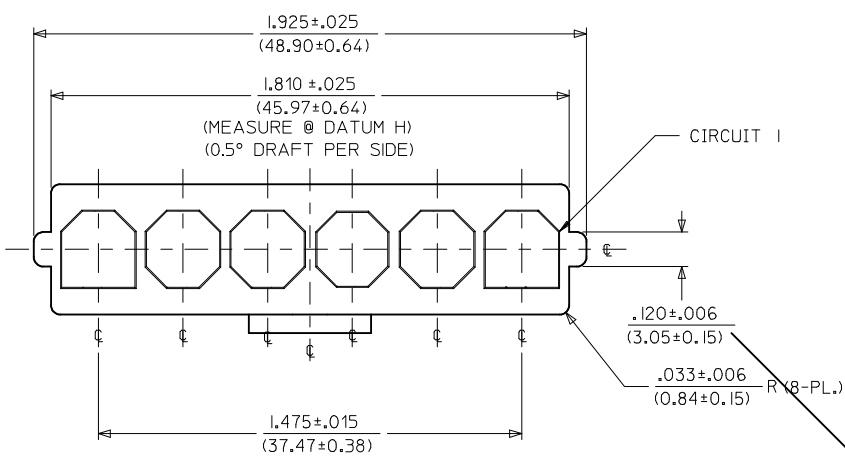
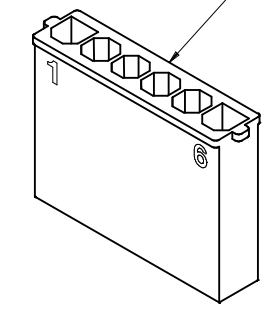


ITEM NUMBER	MATERIAL	COLOR
43680-2006	UL94V-0 NYLON	BLACK
43680-1006	UL94V-2 NYLON	NATURAL (TRANSLUCENT)
43680-3006	UL94V-2 NYLON, IEC 60335-1 GLOW WIRE CAPABLE	BLACK

- NOTE:
1. MATERIAL: SEE CHART.
  2. FINISH: NONE.
  3. PRODUCT SPECIFICATION: PS-44441-9999.
  4. PACKAGING: PK-43680-001.
  5. THIS CONNECTOR HOUSING FOR USE WITH 43178-\*\*\*\* TERMINALS.
  6. THIS CONNECTOR HOUSING WILL MATE TO 43335-\*\*\*6, 43179-\*\*\*6 AND 44441-\*\*\*6 HOUSINGS.
  7. PARTS CONFORM TO CLASS B REQUIREMENTS OF COSMETIC SPEC PS-45499-002.  
- SOME PARTS MAY HAVE A BLEMISH NEAR THE GATE THAT DOES NOT AFFECT FUNCTIONALITY.



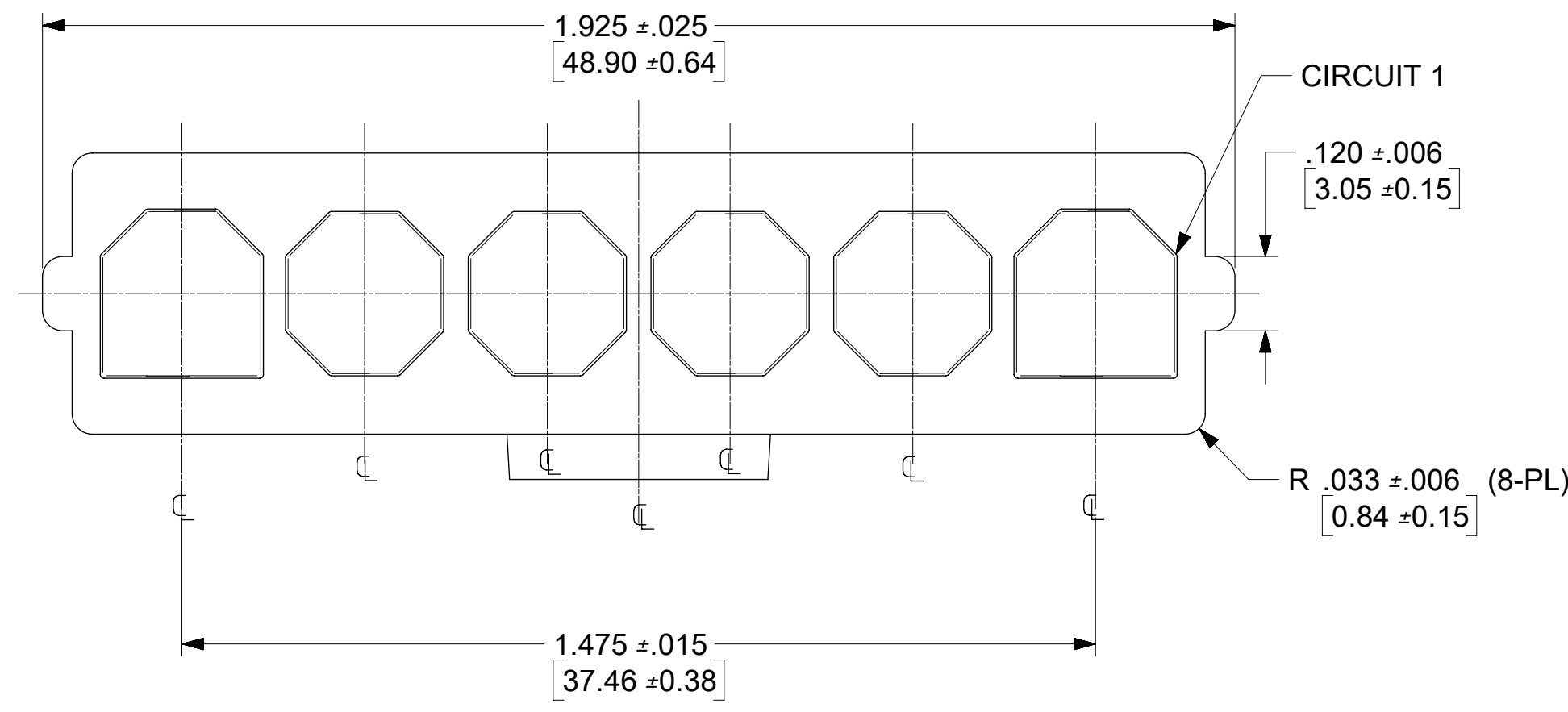
LOCKING NUB IS LOCATED HERE



43680-\*006  
(NO SCALE)

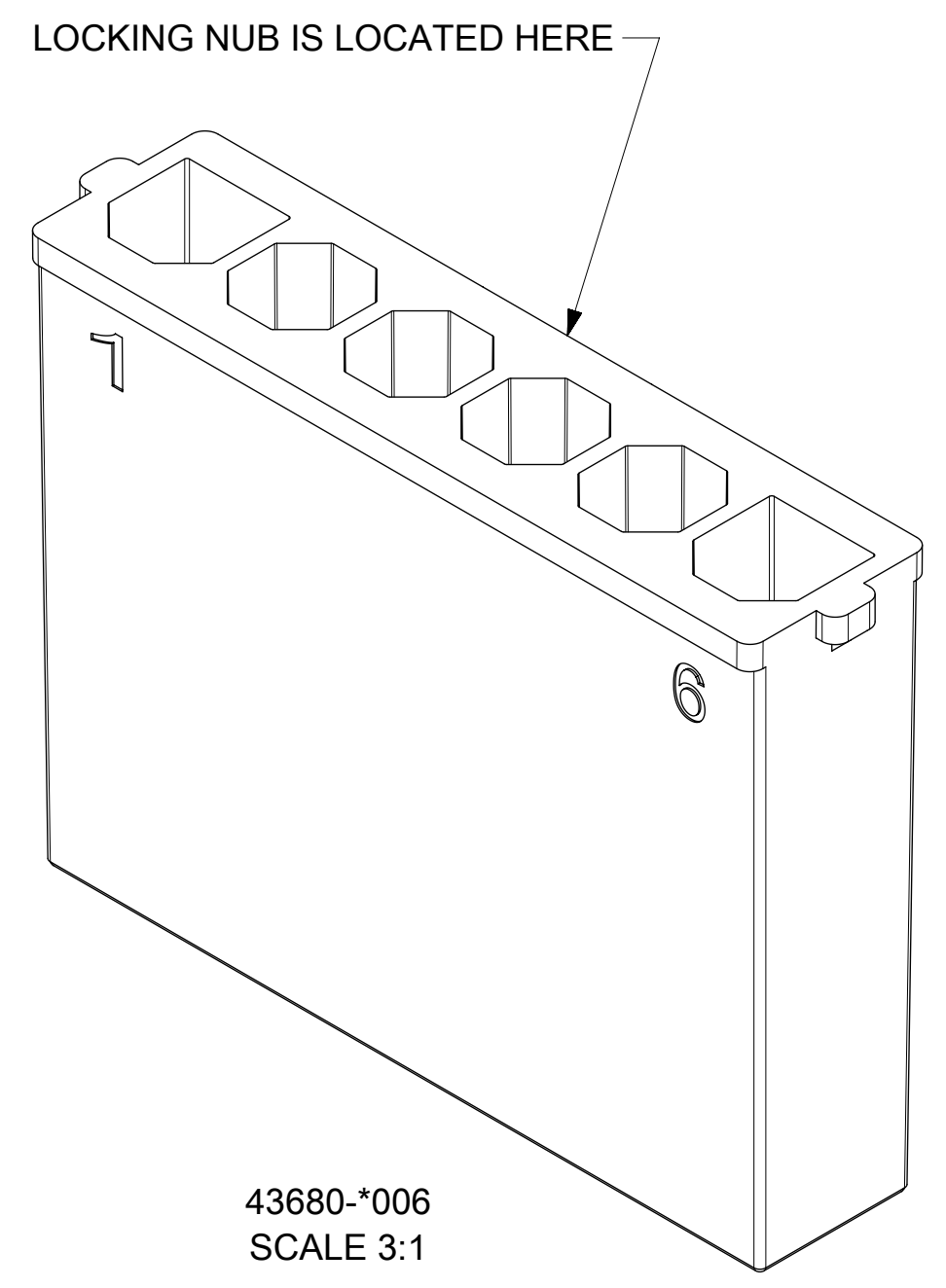
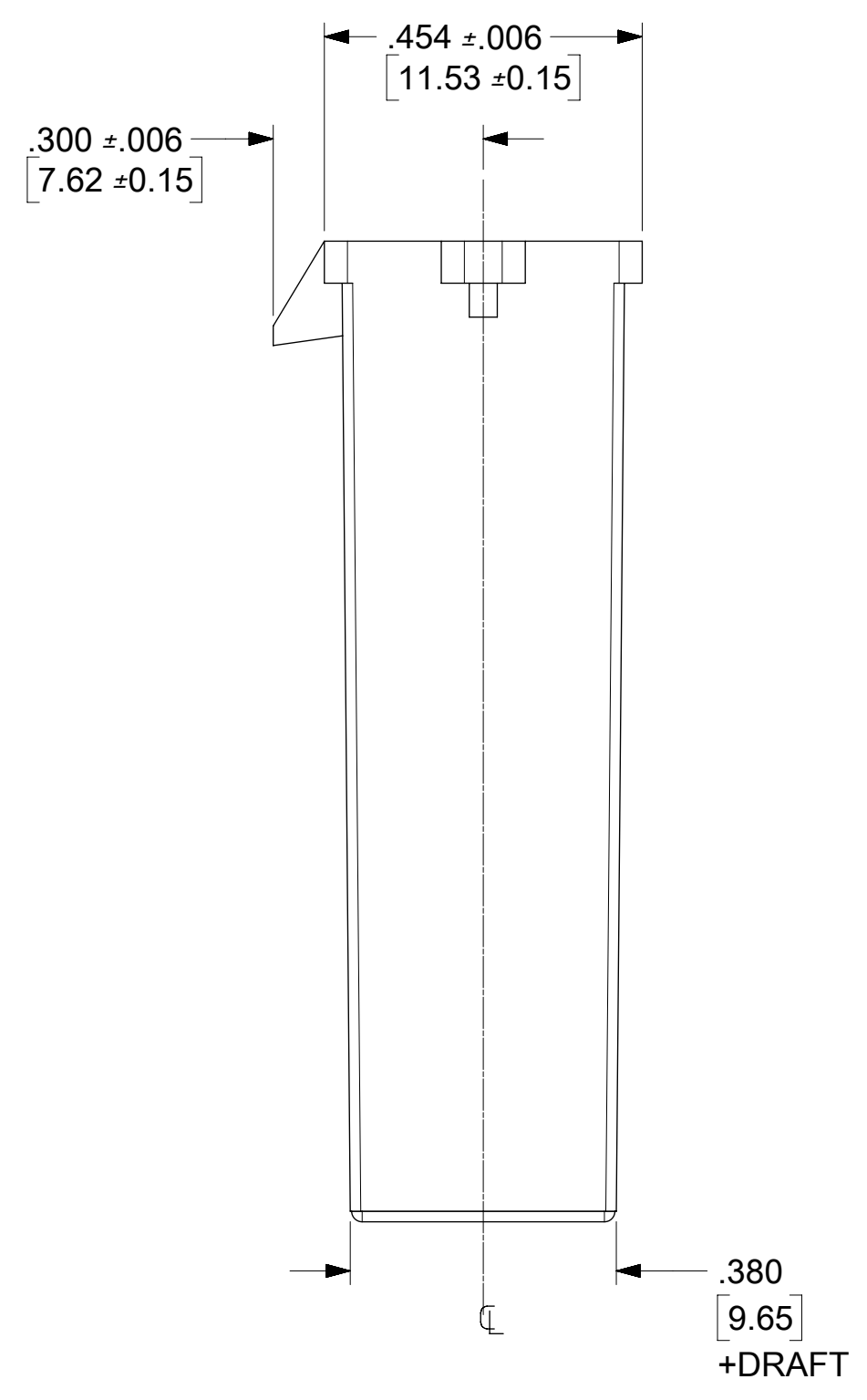
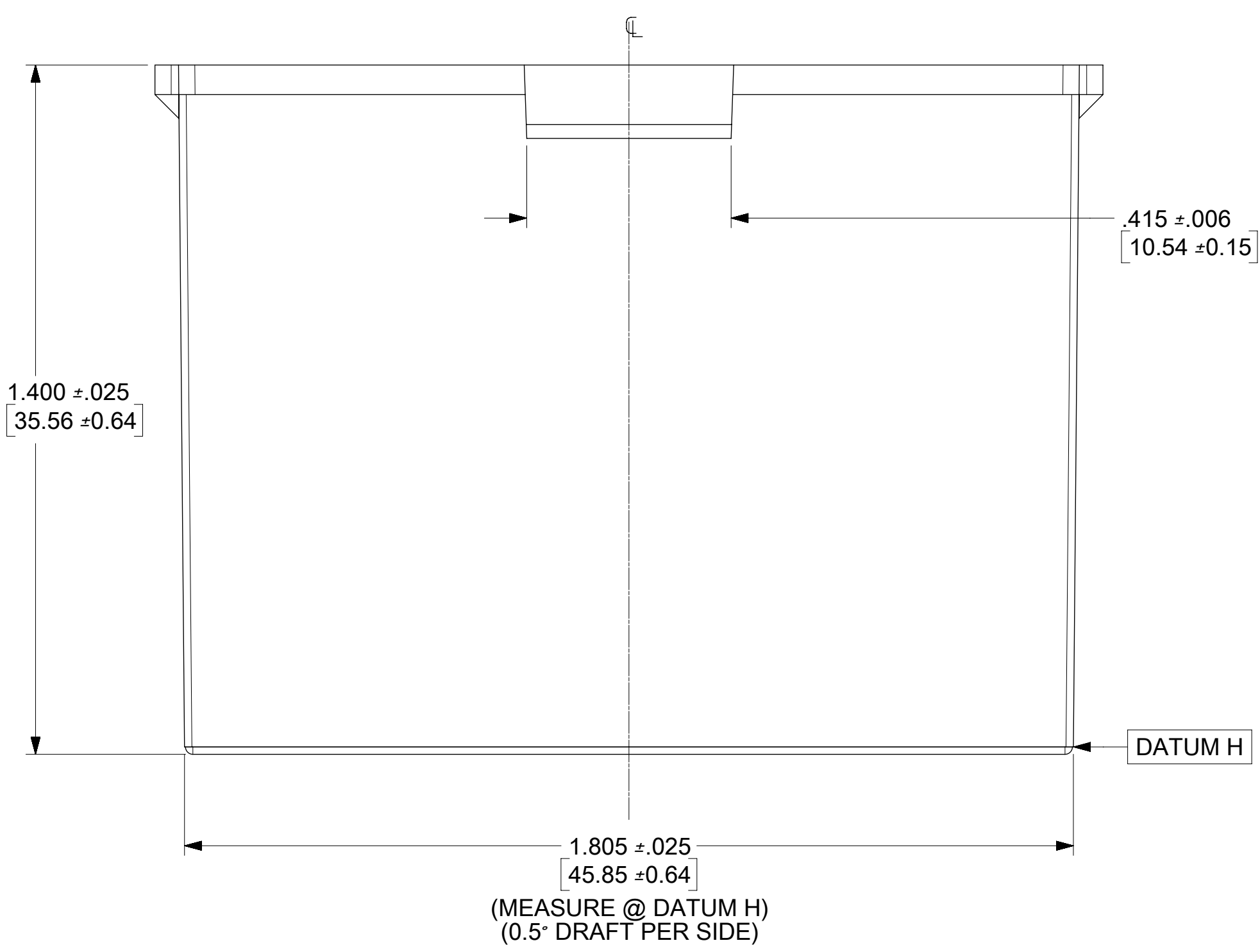
<b>VOID</b> EC NO: UCP2017-0974 TIRWIN/BANDURA 2016/10/31 CHKD: APPR: BPLSZCZOR 2016/11/03 REV DESCRIPTION	QUALITY SYMBOLS	GENERAL TOLERANCES (UNLESS SPECIFIED)	DIMENSION STYLE	SCALE	DESIGN UNITS	THIRD ANGLE PROJECTION																																
	$\nabla = 0$ $\nabla = 0$ $\nabla = 0$	<table border="1"> <thead> <tr> <th></th> <th>mm</th> <th>INCH</th> </tr> </thead> <tbody> <tr> <td>4 PLACES</td> <td>± .15</td> <td>± .005</td> </tr> <tr> <td>3 PLACES</td> <td>± .10</td> <td>± .004</td> </tr> <tr> <td>2 PLACES</td> <td>± .075</td> <td>± .003</td> </tr> <tr> <td>1 PLACE</td> <td>± .05</td> <td>± .002</td> </tr> <tr> <td>0 PLACE</td> <td>± .03</td> <td>± .001</td> </tr> </tbody> </table>		mm	INCH	4 PLACES	± .15	± .005	3 PLACES	± .10	± .004	2 PLACES	± .075	± .003	1 PLACE	± .05	± .002	0 PLACE	± .03	± .001	<table border="1"> <thead> <tr> <th colspan="2">IN/MM</th> </tr> </thead> <tbody> <tr> <td>DRAWN BY</td> <td>DATE</td> </tr> <tr> <td>CM</td> <td>03/22/96</td> </tr> <tr> <td>CHECKED BY</td> <td>DATE</td> </tr> <tr> <td>KBP</td> <td>03/22/96</td> </tr> <tr> <td>APPROVED BY</td> <td>DATE</td> </tr> <tr> <td>FSMITH</td> <td>2015/01/09</td> </tr> </tbody> </table>	IN/MM		DRAWN BY	DATE	CM	03/22/96	CHECKED BY	DATE	KBP	03/22/96	APPROVED BY	DATE	FSMITH	2015/01/09	4:1	INCH	
		mm	INCH																																			
	4 PLACES	± .15	± .005																																			
3 PLACES	± .10	± .004																																				
2 PLACES	± .075	± .003																																				
1 PLACE	± .05	± .002																																				
0 PLACE	± .03	± .001																																				
IN/MM																																						
DRAWN BY	DATE																																					
CM	03/22/96																																					
CHECKED BY	DATE																																					
KBP	03/22/96																																					
APPROVED BY	DATE																																					
FSMITH	2015/01/09																																					
DRAFT WHERE APPLICABLE MUST REMAIN WITHIN DIMENSIONS	ANGULAR ±1/2° MATERIAL NO. SEE CHART	TITLE <b>6-CIR. PLUG HOUSING</b> .125/(3.18)X.020/(0.51) SABRE - TPA <b>molex</b>	DOCUMENT NO. <b>SD-43680-*006</b>	SHEET NO. 1 OF 1																																		

ITEM NUMBER	MATERIAL	COLOR
43680-2006	UL94V-0 NYLON	BLACK
43680-1006	UL94V-2 NYLON	NATURAL (TRANSLUCENT)
43680-3006	UL94V-2 NYLON IEC 60335-1 GLOW WIRE CAPABLE	BLACK



**NOTE:**

1. MATERIAL: SEE CHART.
2. FINISH: NONE.
3. PRODUCT SPECIFICATION: PS-44441-9999.
4. PACKAGING: PK-43680-001.
5. THIS CONNECTOR HOUSING FOR USE WITH 43178-\*\*\*\* TERMINALS.
6. THIS CONNECTOR HOUSING WILL MATE TO 43335-\*\*\*6, 43179-\*\*\*6 AND 44441-\*\*\*6 HOUSINGS.
7. PARTS CONFORM TO CLASS B REQUIREMENTS OF COSMETIC SPEC PS-45499-002. - SOME PARTS MAY HAVE A BLEMISH NEAR THE GATE THAT DOES NOT AFFECT FUNCTIONALITY.



<b>QUALITY SYMBOLS</b> 	THIS DRAWING CONTAINS INFORMATION THAT IS PROPRIETARY TO MOLEX ELECTRONIC TECHNOLOGIES, LLC AND SHOULD NOT BE USED WITHOUT WRITTEN PERMISSION										
	RE-MASTERED IN ELECTR EC NO: 111498 DRWN: RMV02 CHKD: BPSZCZOR REV APPR:	GENERAL TOLERANCES (UNLESS SPECIFIED) ANGULAR TOL ± 0.5 °		DIMENSION UNITS: HYBRID SCALE: 4:1							
		4 PLACES ± 3 PLACES ± 0.01 2 PLACES ± 0.014 1 PLACE ± 0 PLACES ±		DRWN BY: CM DATE: 03/22/96 CHKD BY: KBP DATE: 03/22/96 APPR BY: FSMITH DATE: 2015/01/09							
		DRAFT WHERE APPLICABLE MUST REMAIN WITHIN DIMENSIONS		DRAWING SIZE: C THIRD ANGLE PROJECTION		<b>PRODUCT CUSTOMER DRAWING</b> SERIES: 43680 MATERIAL NUMBER: SEE CHART CUSTOMER: GENERAL MARKET DOCUMENT NUMBER: 436800006 DOC TYPE: PSD DOC PART: 000 SHEET NUMBER: 1 OF 1					