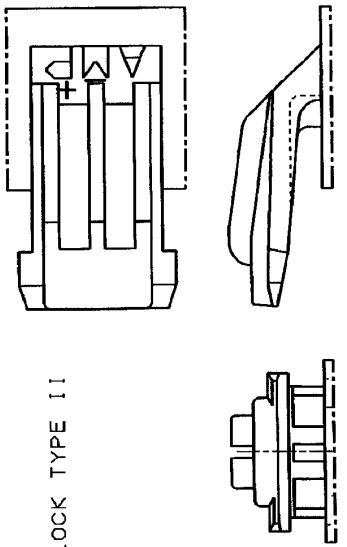


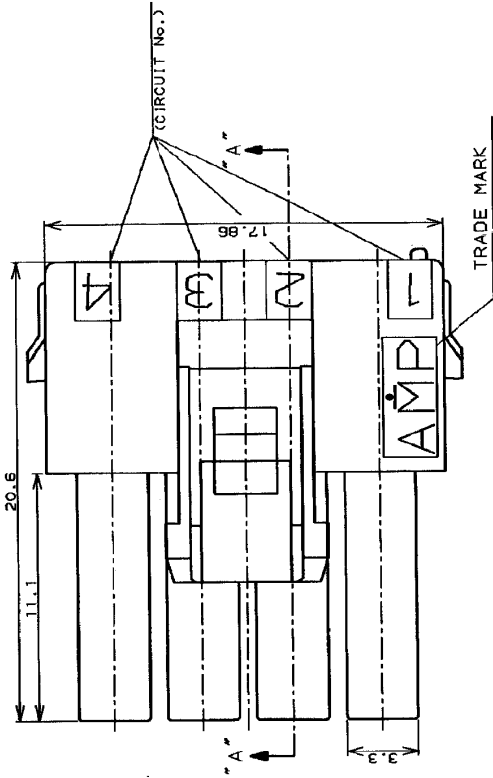
LOCK TYPE II



DWG NO

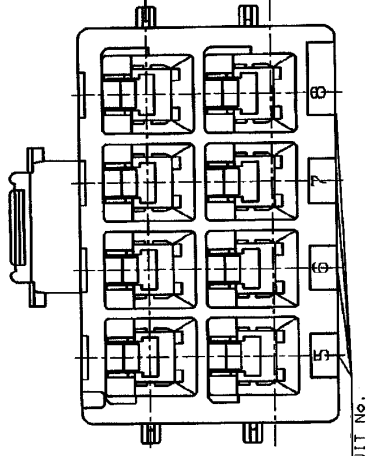
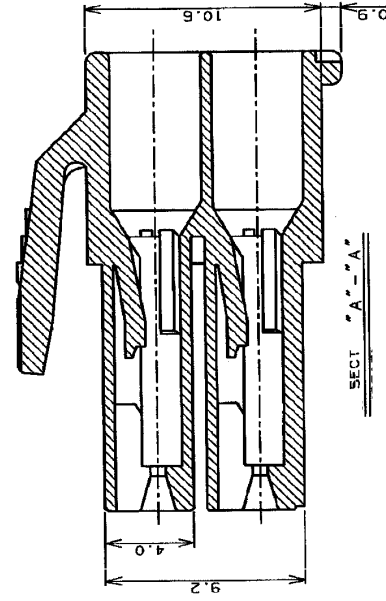
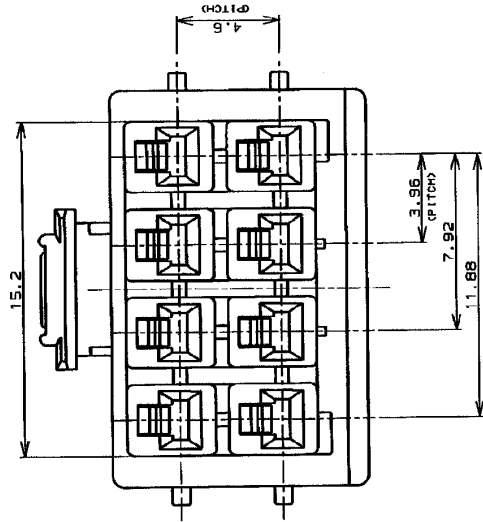
THIS DRAWING IS A CONTROLLED DOCUMENT

AS SHOWN LOCK TYPE I



NOTES:

1. PRODUCT SPEC. 108-81106
2. APPLICABLE CONTACT P/N REC CONTACT: 177915-C; (\*20-16AWG)
3. MATING CONN, P/N: 177914-C; (\*26-22AWG) CAP HSG: 1971800-C; (FREE HANGING) TAB CONTACT: 177917-C; (\*20-16AWG) 177916-C; (\*26-22AWG)
4. APPLICABLE PLATE P/N: 177920-C;
5. INSTRUCTION SHEET: 411-5638
6. COMPLY WITH GLOW WIRE REQUIREMENT FOR PARTS OF NO-METALLIC MATERIAL SUPPORTING A CURRENT-CARRYING CONNECTOR DETAILED IN IEC60335-1, SECTION 30(GWT)



THIS INFORMATION IS CONFIDENTIAL AND PROPRIETARY TO TYCO ELECTRONICS CORPORATION AND ITS WORLDWIDE SUBSIDIARIES AND AFFILIATES. IT MAY NOT BE DISCLOSED TO ANYONE OTHER THAN TYCO ELECTRONICS PERSONNEL WITHOUT WRITTEN AUTHORIZATION FROM TYCO ELECTRONICS CORPORATION, HARRISBURG, PENNSYLVANIA USA.

LOC	
ES	
DIST	

P	LTR	REVISION RECORD							
A1		REVISED PER ECR-17-000605	15FEB2017	N.L	D.Z				

DIMENSIONS:		TOLERANCES, UNLESS OTHERWISE SPECIFIED:	
mm		0 PLC	±
		1 PLC	± 0.5
		2 PLC	± 0.3
		3 PLC	±
		4 PLC	±

SCALE	1:1	SIZE	A3	DRAWING NO	C-1971598	SHEET	1	OF	1	REV	A1
-------	-----	------	----	------------	-----------	-------	---	----	---	-----	----

DWG	SAI, CHEN	CHK	HAPYE, WU	APVD	JULIAN, ZHOU	NAME	POWER DBL LOCK CONN 3.96mm PITCH 8 POS PLUG HOUSING (DBL ROW)(GWT)	COMPANY	Tyco Electronics Corporation Shanghai, China
MATERIAL	PA66	HEAT TREAT	-						
NATURAL	8	HOUSING COLOR	Pos						