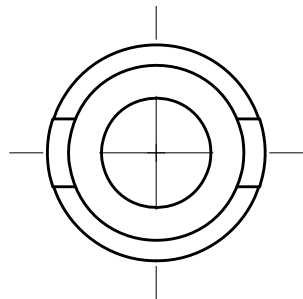
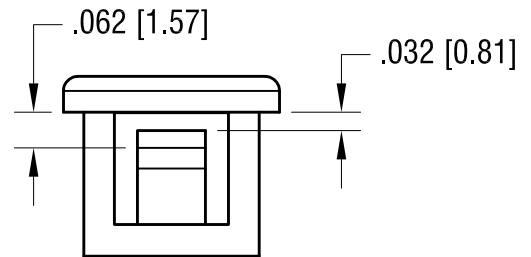
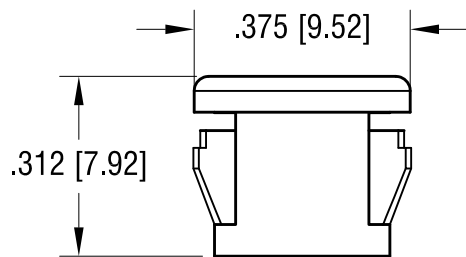
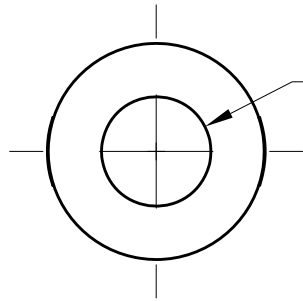


THIS DOCUMENT IS THE PROPERTY OF
KEYSTONE ELECTRONICS CORP. AND
SHALL NOT BE REPRODUCED, DISTRIBUTED
OR USED AS A BASIS FOR MANUFACTURE
WITHOUT PRIOR WRITTEN PERMISSION
FROM KEYSTONE ELECTRONICS CORP.

ACTUAL SIZE



+ .030 [+0.76]
- .000 [-0.00]
Ø.187 [4.75]
CLEARANCE FOR WIRE



KEYSTONE ELECTRONICS CORP.

www.keyelco.com • ASTORIA, N.Y. 11105-2017 • Tel (718) 956-8900

PART NAME		NYLON INSULATING BUSHING	
MATERIAL		NYLON 6/6, BLACK UL 94V-2	
FINISH	-	DRN BY	BOONE
		APP'D	LN
		DATE	11.22.06
		SCALE	3X
TOLERANCES	INCH [MM]	CODE	DWG NO.
DECIMAL	± .015 [± 0.38]	C	8471
ANGULAR	± 1°		
UNLESS OTHERWISE SPECIFIED			

4.21.11	CHANGE AS PER ECR 11-056	A
DATE	DESCRIPTION	REV.