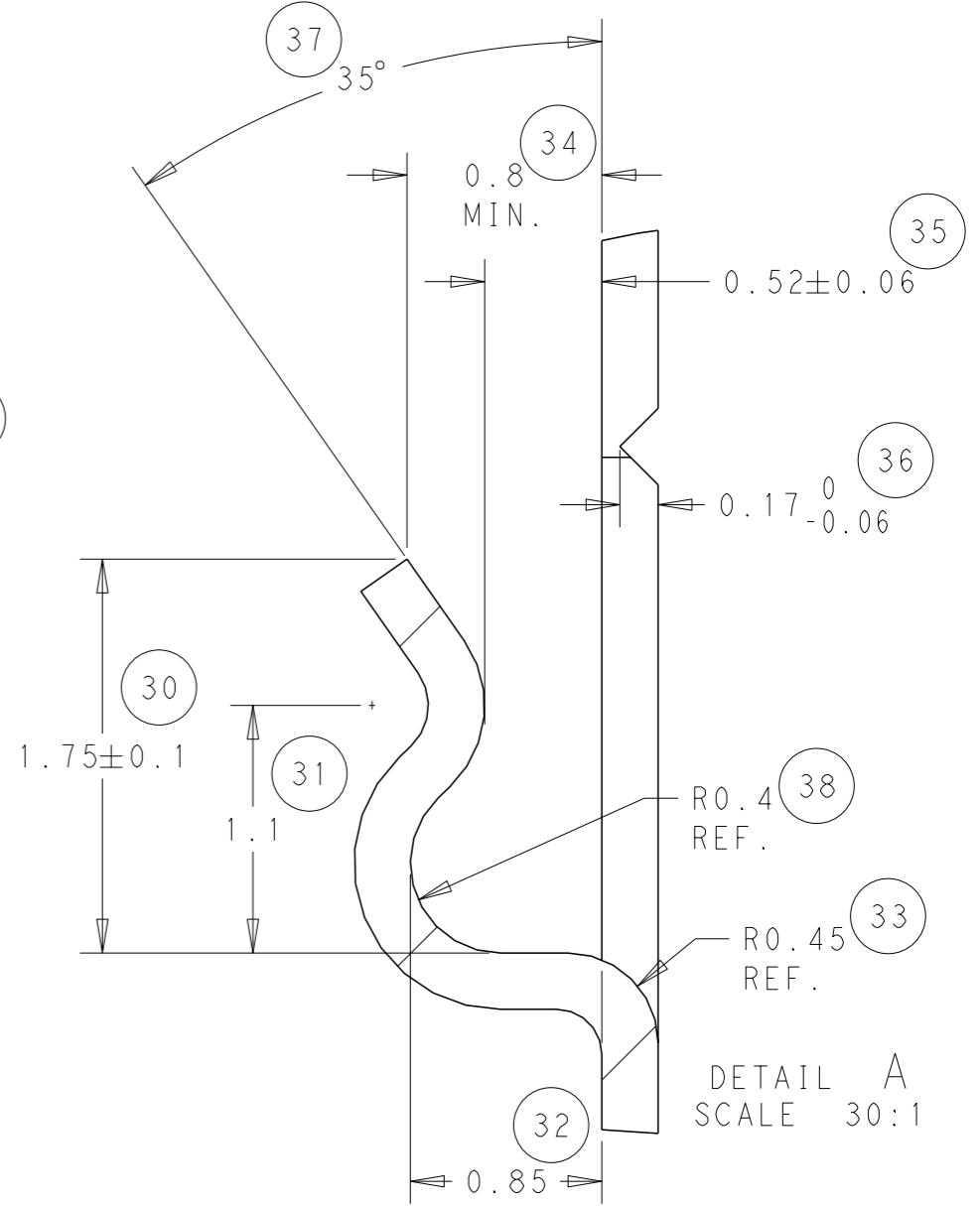
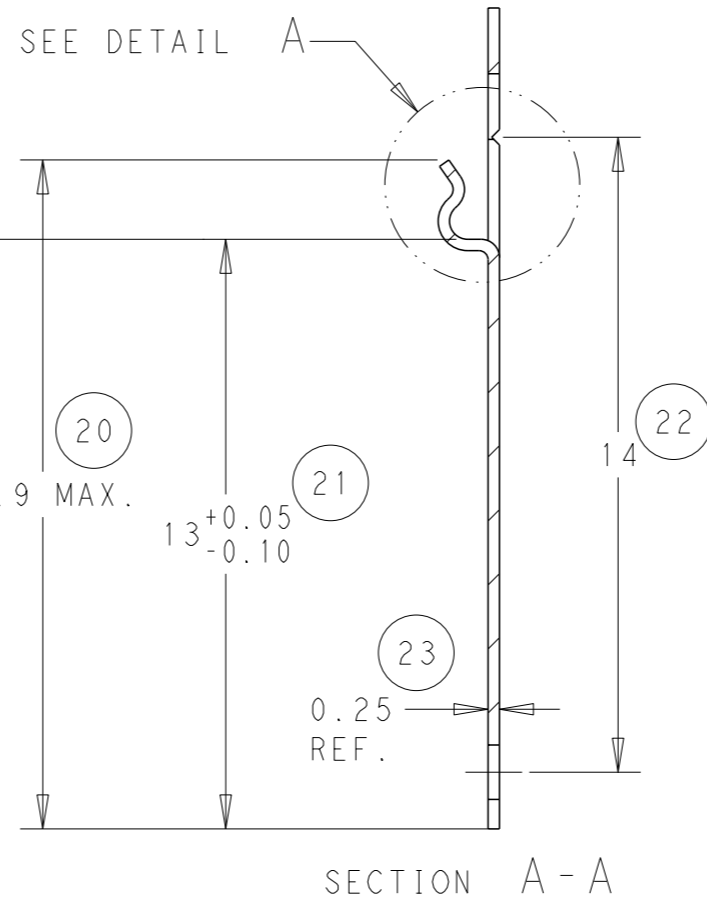
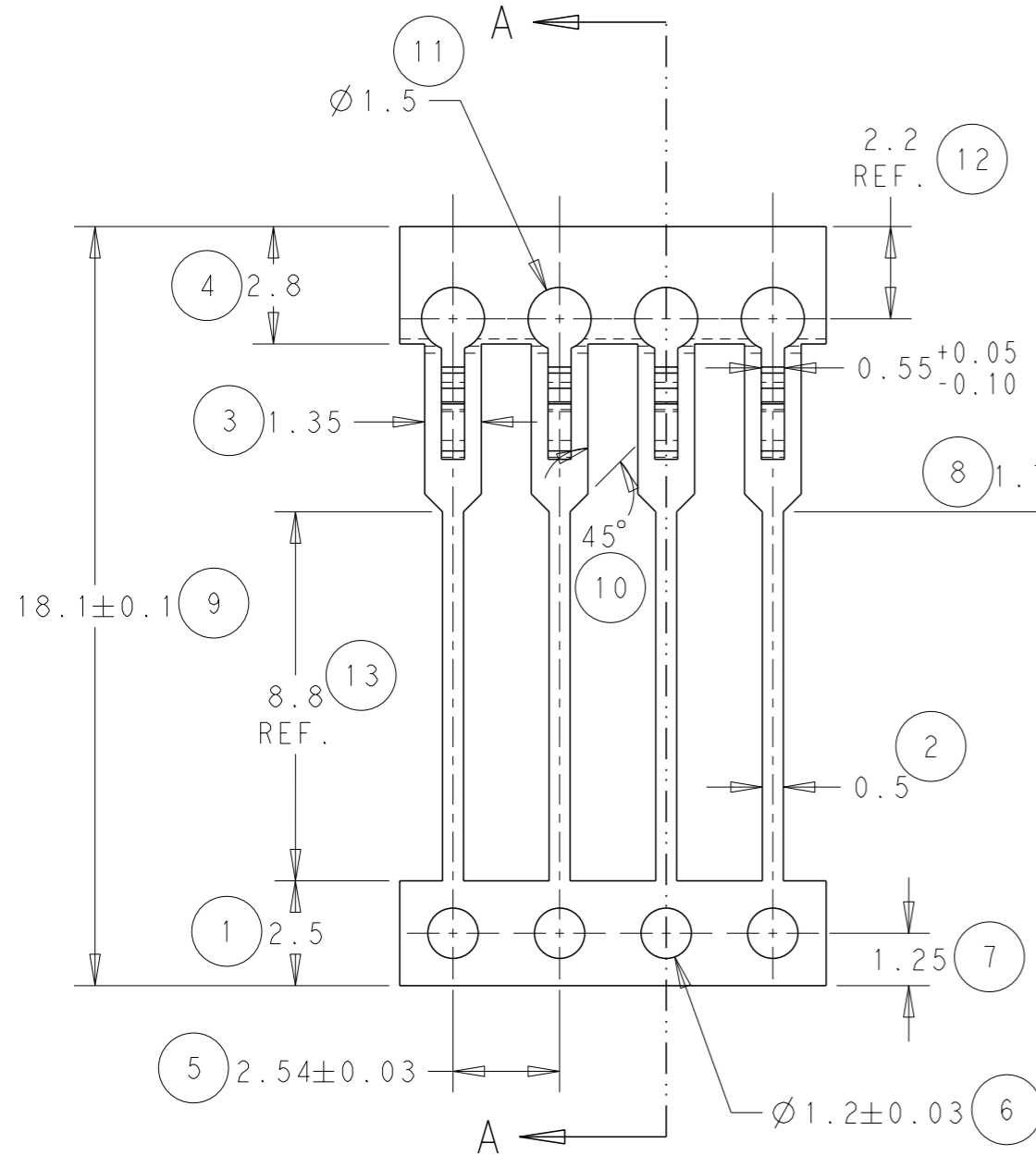
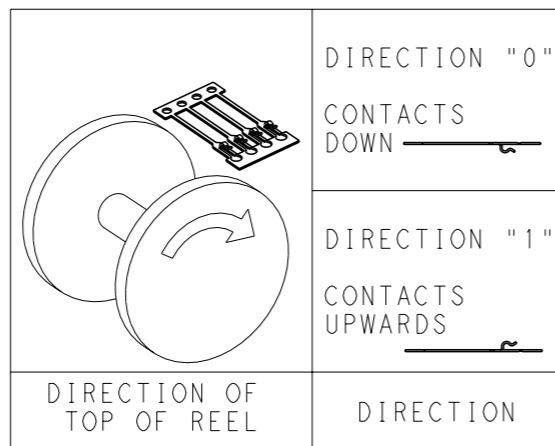
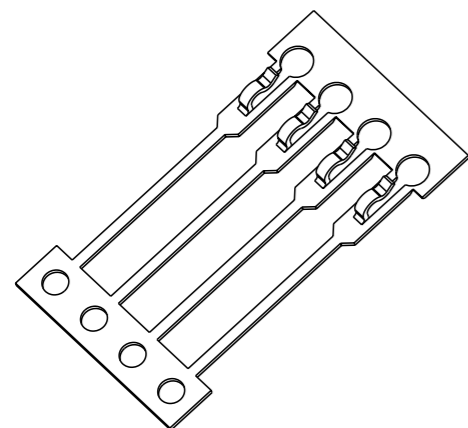


LOC	DIST	REVISIONS				
P	LTR	DESCRIPTION	DATE	DWN	APVD	
B	-	E	ECR-11-019441	21/09/11	JB	MG



NOTE  
 BOWING: AFTER UPPER TIE BAR REMOVAL- 1.5mm MAX. FOR 500mm  
 PITCH: AFTER UPPER TIE BAR REMOVAL- 2.54±0.127



THIS DRAWING IS A CONTROLLED DOCUMENT.

DIMENSIONS: mm  
 TOLERANCES UNLESS OTHERWISE SPECIFIED:

0 PLC	±-
1 PLC	±-
2 PLC	±0.05
3 PLC	±-
4 PLC	±-
ANGLES	±0.5
FINISH	-

MATERIAL SEE ABOVE.

DWN	21/09/11	J. BRIGHT
CHK	21/09/11	M. GREENER
APVD	21/09/11	D. PENNINGTON
PRODUCT SPEC	-	-
APPLICATION SPEC	-	-
WEIGHT	-	-

0	Ni & Sn	1544445-2
0	Sn	1544445-1
REELING	FINISH	PART NUMBER

**STE** TE Connectivity

NAME: SIL LEADFRAME

SIZE	CAGE CODE	DRAWING NO	RESTRICTED TO
A3	00779	C-1544445	-

CUSTOMER DRAWING SCALE NTS SHEET 1 OF 1 REV E