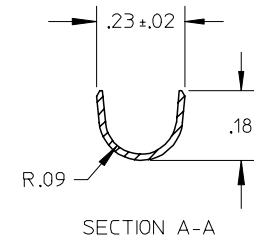
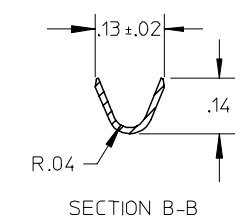
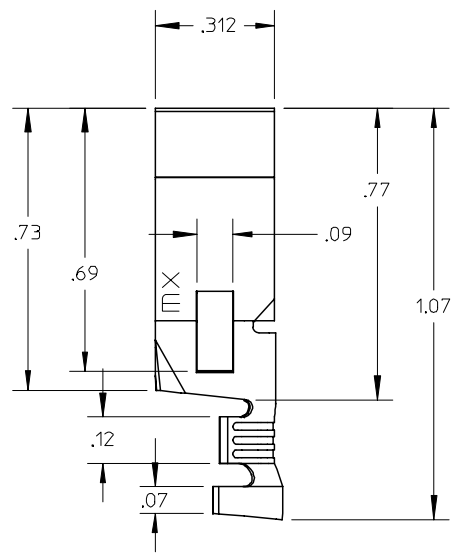
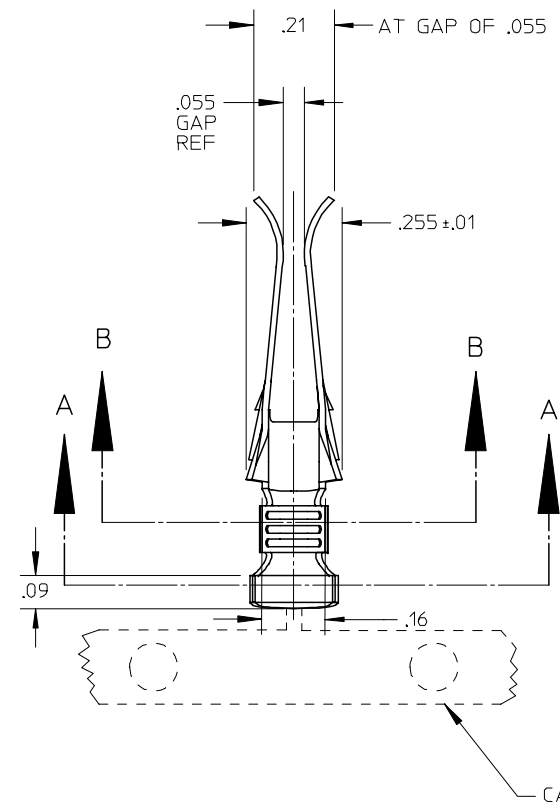


NOTES:
 1. MATERIAL: .016 THK. BRONZE ALLOY
 2. FINISH: NONE
 3. PRODUCT SPECIFICATION: NONE



REVISED & REDRAWN EC NO: UCP2004-0879 DRWN: JSCHAFFER 2003/11/14 CHK'D: 2003/11/14 APPR: BWIRKUS 2003/11/17	QUALITY SYMBOLS	GENERAL TOLERANCES (UNLESS SPECIFIED)		SCALE 2:1	DESIGN UNITS INCH	THIRD ANGLE PROJECTION	REVISE ON CAD ONLY		
	 	4 PLACES	± ---	± ---	DIMENSION STYLE INCH ONLY		TITLE RANGE PROBE TERMINAL FOR 14, 16, 18 GA. WIRE		
		3 PLACES	± ---	± .005	DRAWN BY JSCHAFFER	DATE 11-06-03	MOLEX INCORPORATED MATERIAL NO. 05-12-1100 DOCUMENT NO. SD-6482-* SHEET NO. 1 OF 1		
		2 PLACES	±	± .010	CHECKED BY BWIRKUS	DATE 11-07-03			
		1 PLACE	±	± ---	APPROVED BY BWIRKUS	DATE 11-07-03	THIS DRAWING CONTAINS INFORMATION THAT IS PROPRIETARY TO MOLEX INCORPORATED AND SHOULD NOT BE USED WITHOUT WRITTEN PERMISSION		
		ANGULAR ±1/2°							
		DRAFT WHERE APPLICABLE MUST REMAIN WITHIN DIMENSIONS							