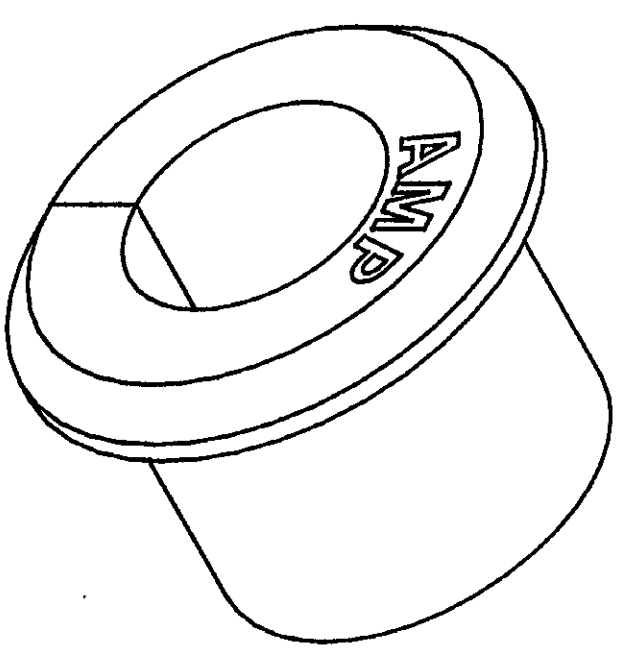
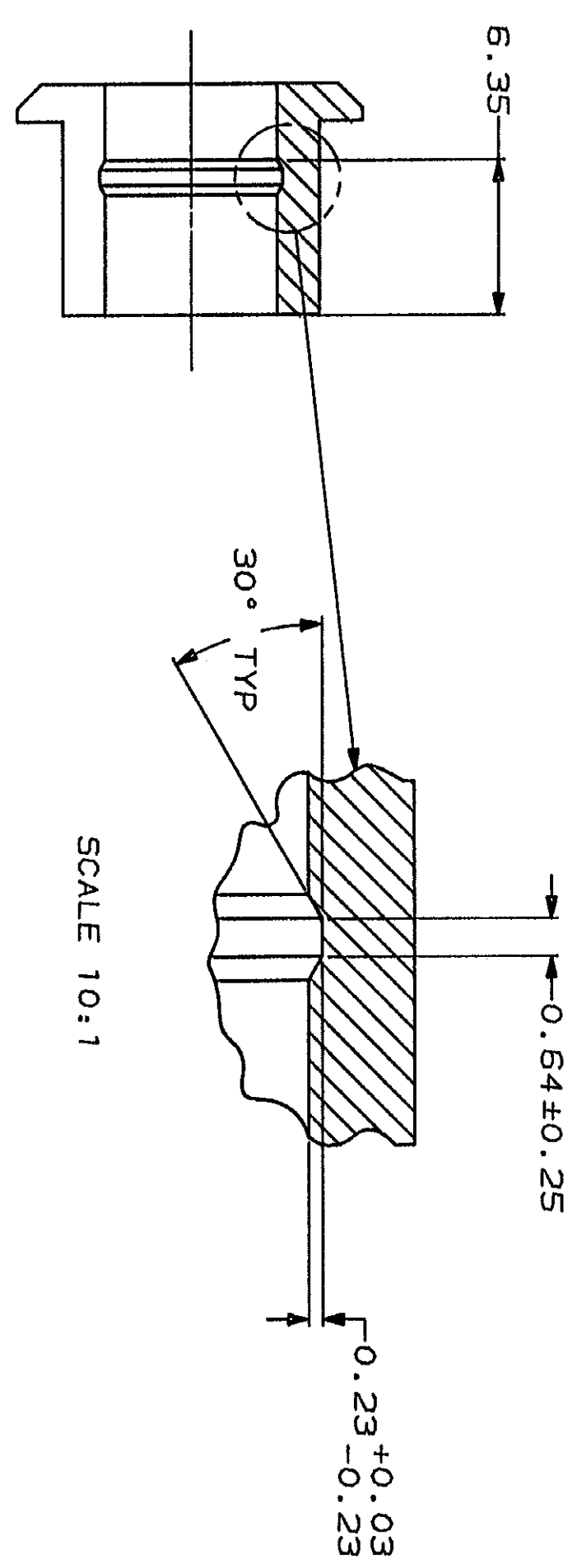
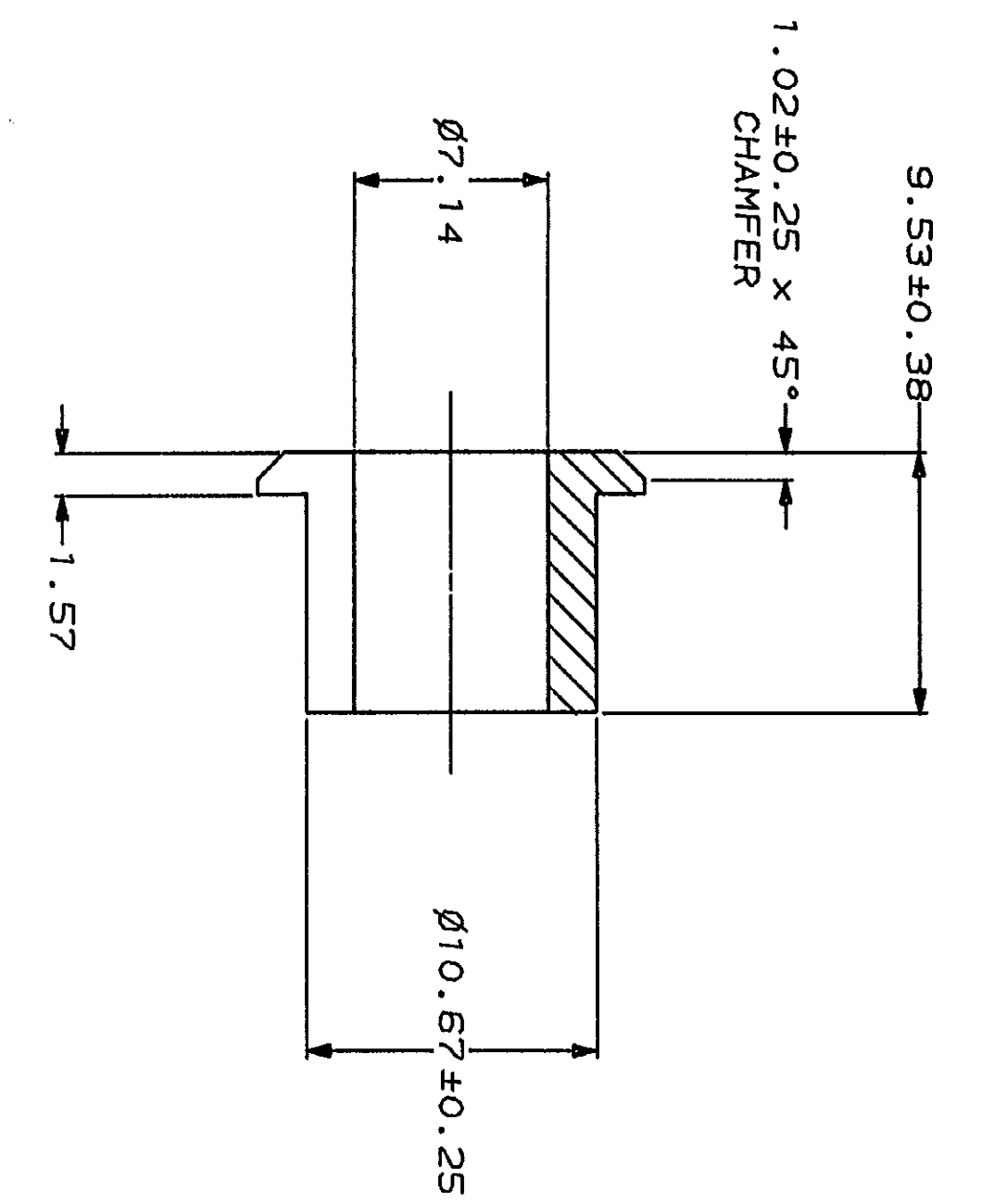
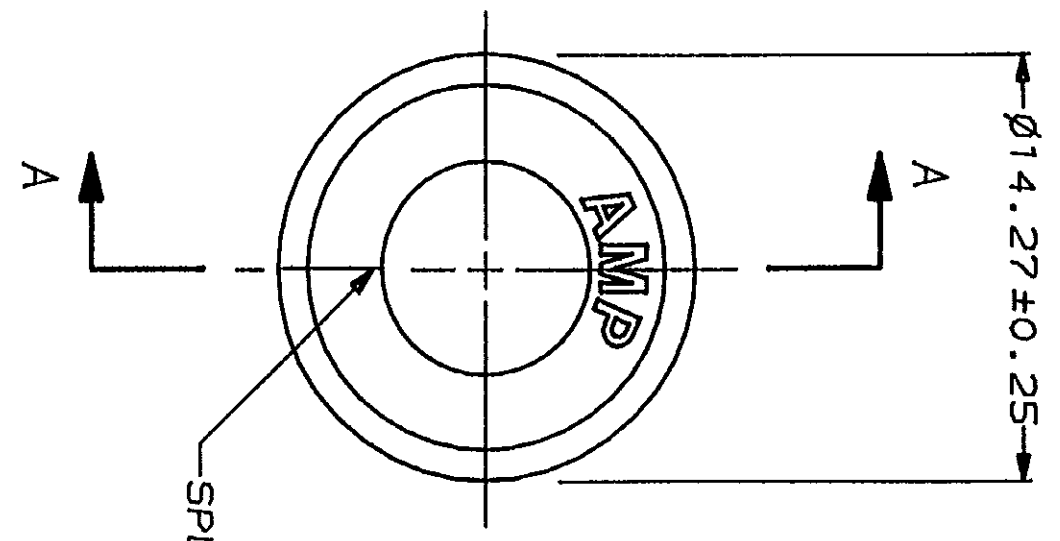


LOC	DIST	REV	ZONE	LTR	DESCRIPTION	DATE	APPD
CM	53	P	F	F	REDWN AND REV PER ECN CM-2599	12-6-89	KU
		V					RS



3-DIMENSIONAL MODEL
NTS

MM	IN	MM	IN	MM	IN
0.38	.015	7.14	.281	-	-
0.25	.010	6.35	.250	-	-
0.23	.009	1.57	.062	14.27	.562
0.13	.005	1.02	.040	10.67	.420
0.03	.001	0.64	.025	9.53	.375

CONVERSION TABLE

1. USE WITH STRAIN RELIEF 350374.
 ▲ MOLDING COMPOUND PVC, FLEXIBLE, 55/75 DURETOMETER (B SCALE), BLACK.

SECTION A-A
OPTIONAL CONSTRUCTION

SCALE 10:1

METRIC

DO NOT SCALE PRINT.
 UNLESS SPECIFIED DIMENSIONS IN MM (INCHES) TOLERANCES ON:
 2 PLC DEC ± 0.13
 3 PLC DEC ± 1.0°
 ANGLES
 MATERIAL

DR: *[Signature]* 12-7-89
 CHK: *[Signature]* 12-8-89
 APPD: *[Signature]* 12-11-89
 NAME: GROMMET, SPLIT, M.R.
 AMP INCORPORATED
 Harrisburg, Pa. 17105

FINISH	-	APPLIC. SPEC	-	SIZE	CAGE CODE	DRAWING NO
WEIGHT	-	PRODUCT SPEC	-	SCALE	00779	350380
					4:1	1 OF 1

1-350380-1
PART NO

350380