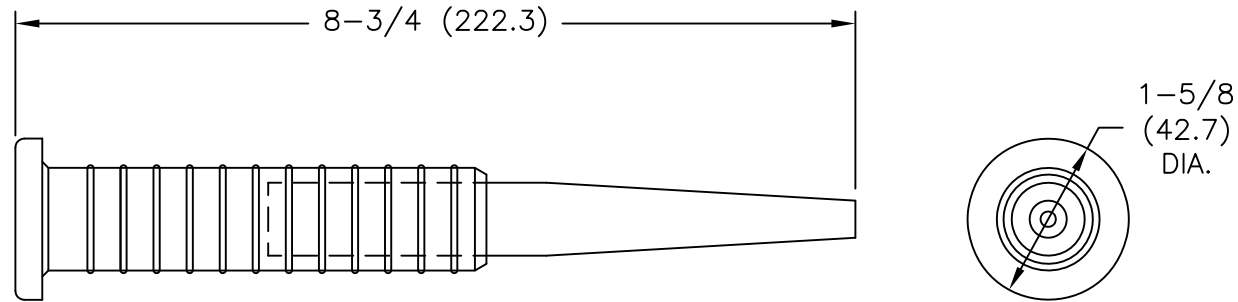


PART #	FOR USE WITH	PIN DIA.
PPR-T1	PPR-1,2,5,93-14,93-7	.125(3.2)
PPR-T4	PPR-4,9	.150(3.8)



ALL DIMENSIONS ARE FOR REFERENCE ONLY.

NOTES:

PPR-T1: BODY - PLASTIC, YELLOW.

PPR-T4: BODY - PLASTIC, GREEN.

INSERTION PIN - METAL.

TITLE: PPR INSTALLATION TOOL				DWG IN IN (MM)	
TOLERANCES UNLESS NOTED .XX=±.020 .XXX=±.015 FRAC=±1/32 ANG=±1°			FILE # PPR-T	DWN: MAH	APP:
C SEE CO 200674 FOR CHANGES SK 05.31.11			MAT'L: SEE NOTES	DT: 09-17-96	DT:
B SEE CO 200639 FOR CHANGES SK 03.18.11			RE: RICHCO, INC.	RICHCO INC. PO BOX 804238, CHICAGO, 60680 (773) 539-4060	
A CHANGED FILE NO. AND TITLE BLOCK SM 05.17.01			PART #		PRINT TYPE
REV DESCRIPTION ENGR DATE			SEE TABLE		CA
			FINAL		