

4

3

2

1

THIS DRAWING IS UNPUBLISHED.

RELEASED FOR PUBLICATION

20

© COPYRIGHT 20

BY TYCO ELECTRONICS CORPORATION. ALL RIGHTS RESERVED.

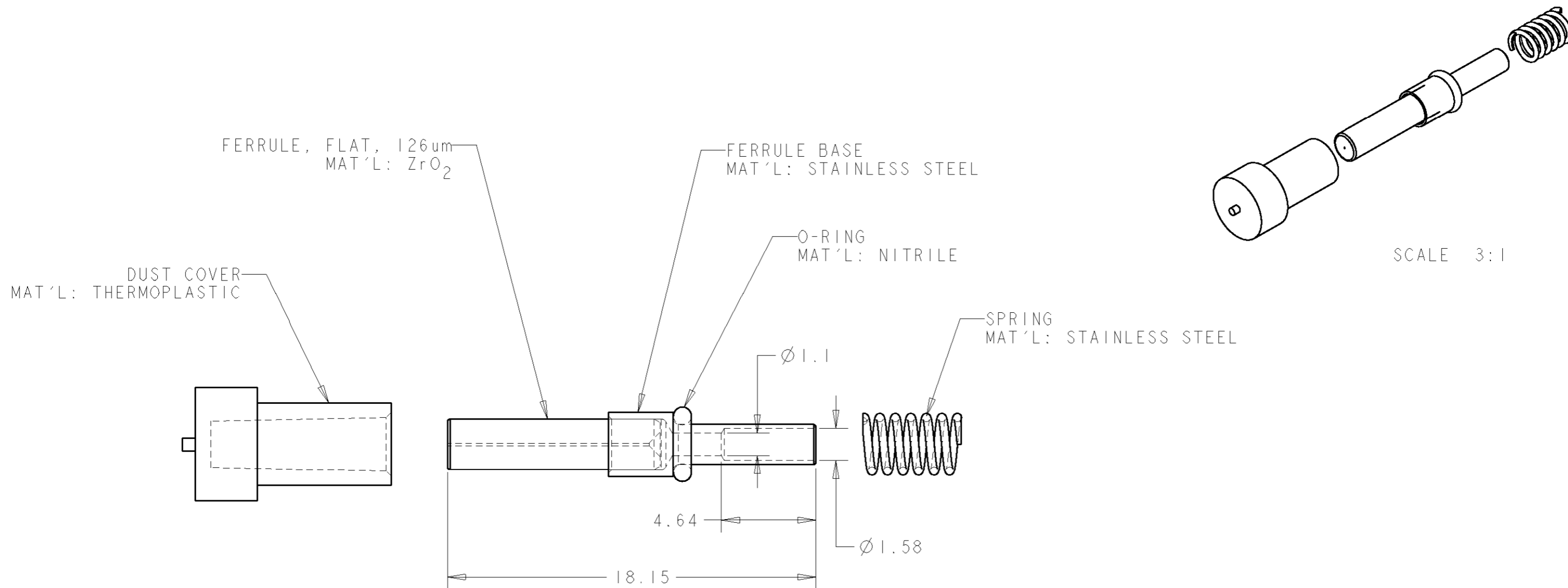
LOC  
CE

DIST  
16

REVISIONS

| P | LTR | DESCRIPTION              | DATE    | DWN | APVD |
|---|-----|--------------------------|---------|-----|------|
|   | I   | PPR 04-646               | 11JUN04 | KG  | DW   |
|   | A   | RELEASE PER 0A00-0345-04 | 21JUL04 | KG  | DW   |
|   |     |                          |         |     |      |
|   |     |                          |         |     |      |

1. ALL DIMENSIONS ARE FOR REFERENCE ONLY.



SCALE 3:1

1754699-1

PART NUMBER

THIS DRAWING IS A CONTROLLED DOCUMENT FOR TYCO ELECTRONICS CORPORATION  
IT IS SUBJECT TO CHANGE AND THE CONTROLLING ENGINEERING ORGANIZATION  
SHOULD BE CONTACTED FOR THE LATEST REVISION.

|                    |  |
|--------------------|--|
| DIMENSIONS:        |  |
| mm                 |  |
|                    |  |
| MATERIAL AS LISTED |  |

|  |     |
|--|-----|
| TOLERANCES UNLESS OTHERWISE SPECIFIED: |     |
| 0 PLC                                  | ±   |
| 1 PLC                                  | ±   |
| 2 PLC                                  | ±   |
| 3 PLC                                  | ±   |
| 4 PLC                                  | ±   |
| ANGLES                                 | ±   |
| FINISH                                 | N/A |

|                  |               |           |
|------------------|---------------|-----------|
| DWN              | K. GLATFELTER | 03JUN2004 |
| CHK              | D. WERTMAN    | 08JUN2004 |
| APVD             | D. WERTMAN    | 11JUN2004 |
| PRODUCT SPEC     | -             |           |
| APPLICATION SPEC | -             |           |
| WEIGHT           | -             |           |
| CUSTOMER DRAWING |               |           |

|  |           |   |               |
|--|-----------|---|---------------|
| <b>tyco</b><br>Electronics                           |           | Tyco Electronics<br>Harrisburg, PA 17105-3608 |               |
| NAME<br>FERRULE KIT, SEALED, FLAT,<br>126um, MINI EB |           |   |               |
| SIZE   | CAGE CODE | DRAWING NO                                    | RESTRICTED TO |
| A3   | 00779     | C-1754699                                     | -             |
| SCALE 5:1  |           | SHEET 1 OF 1                                  | REV A         |